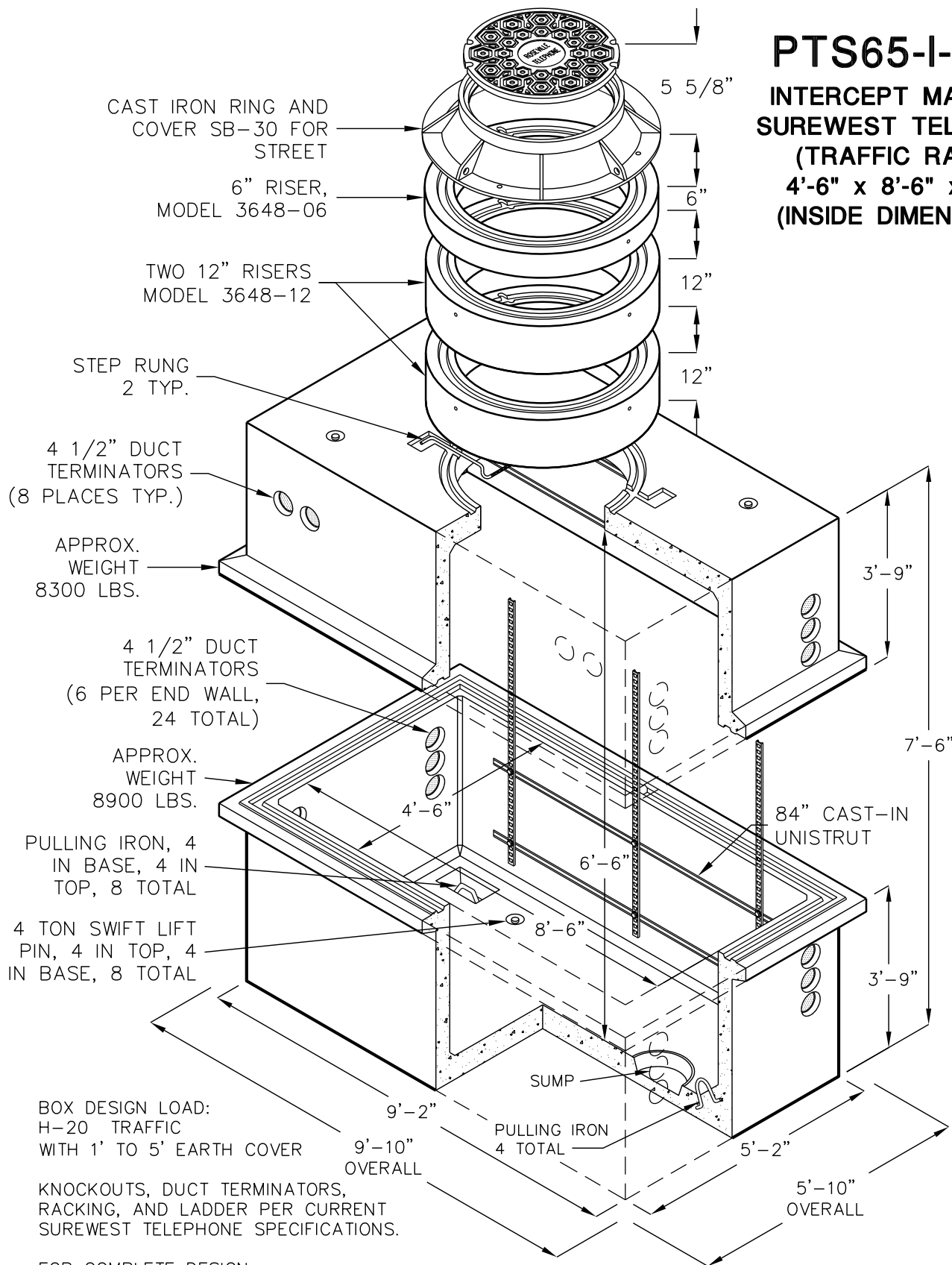


PTS65-I-TST
INTERCEPT MANHOLE
SUREWEST TELEPHONE
(TRAFFIC RATED)
4'-6" x 8'-6" x 6'-6"
(INSIDE DIMENSIONS)



BOX DESIGN LOAD:
H-20 TRAFFIC
WITH 1' TO 5' EARTH COVER

KNOCKOUTS, DUCT TERMINATORS,
RACKING, AND LADDER PER CURRENT
SUREWEST TELEPHONE SPECIFICATIONS.

FOR COMPLETE DESIGN
AND PRODUCT INFORMATION,
CONTACT JENSEN PRECAST.