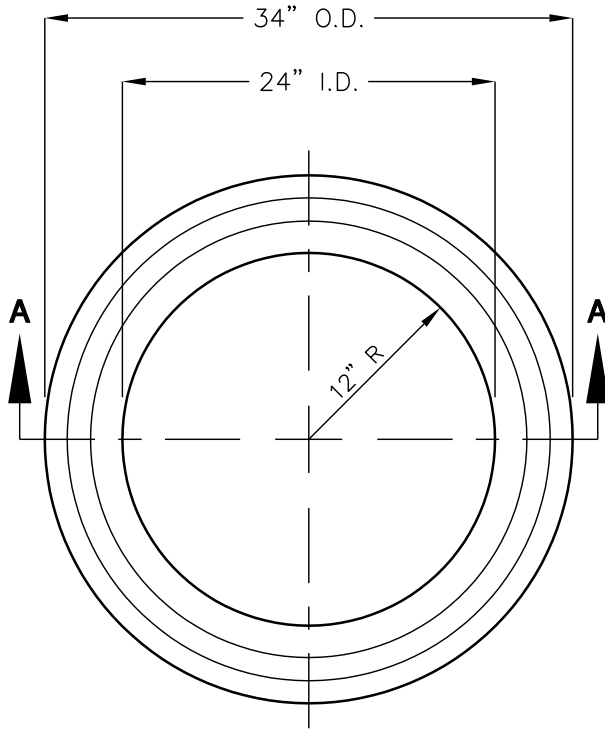
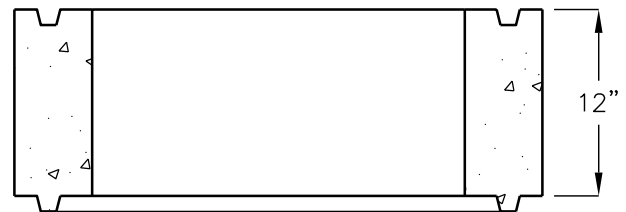
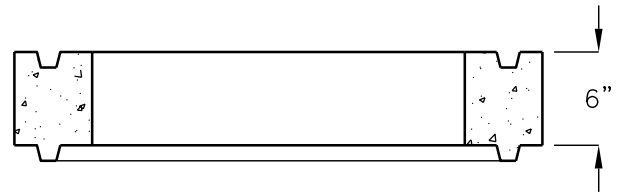
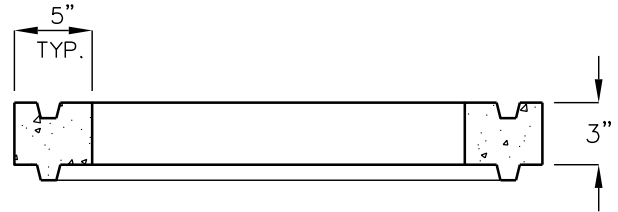


# GRADE RINGS/RISERS

MODEL 2434  
24" I.D., 5" WALL



TOP VIEW



SECTION A-A

DESCRIPTION	APPROX. WEIGHT
2434 GR-03 GRADE RING	97 LBS.
2434 GR-06 GRADE RING	194 LBS.
2434 GR-12 GRADE RING	390 LBS.

CONFORMS TO CURRENT SPECIFICATIONS:  
ASTM C-478 AND AASHTO NO. M-199

FOR COMPLETE DESIGN  
AND PRODUCT INFORMATION  
CONTACT JENSEN PRECAST.