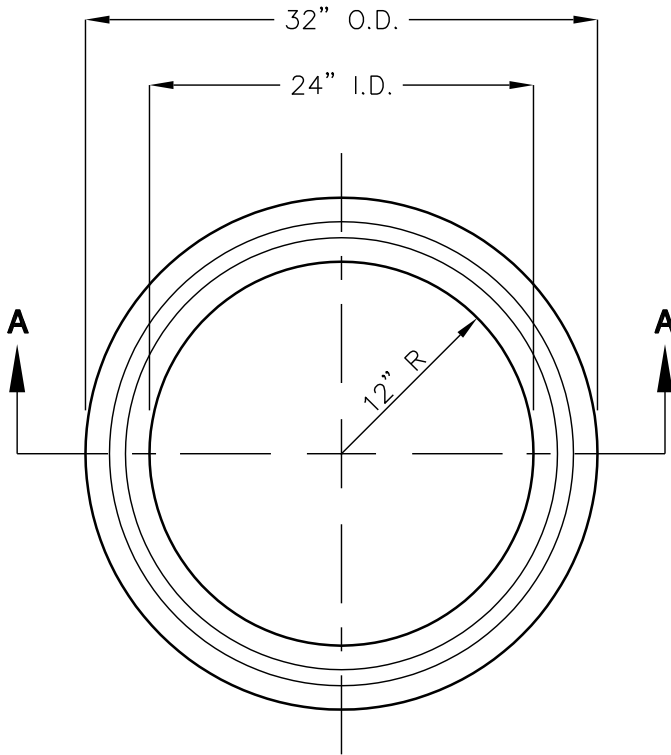
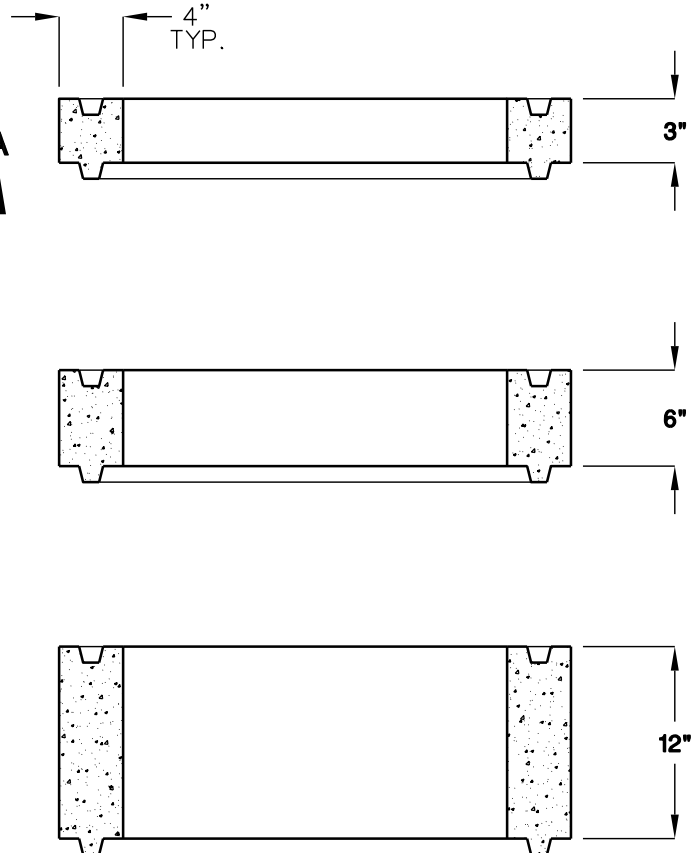


# GRADE RINGS/RISERS

MODEL 2432  
24" I.D., 4" WALL



TOP VIEW



SECTION A-A

DESCRIPTION	APPROX. WEIGHT
2432 GR-03 GRADE RING	92 LBS.
2432 GR-06 GRADE RING	183 LBS.
2432 GR-12 GRADE RING	366 LBS.

CONFORMS TO CURRENT SPECIFICATIONS:  
ASTM C-478 AND AASHTO M-199

FOR COMPLETE DESIGN  
AND PRODUCT INFORMATION,  
CONTACT JENSEN PRECAST.