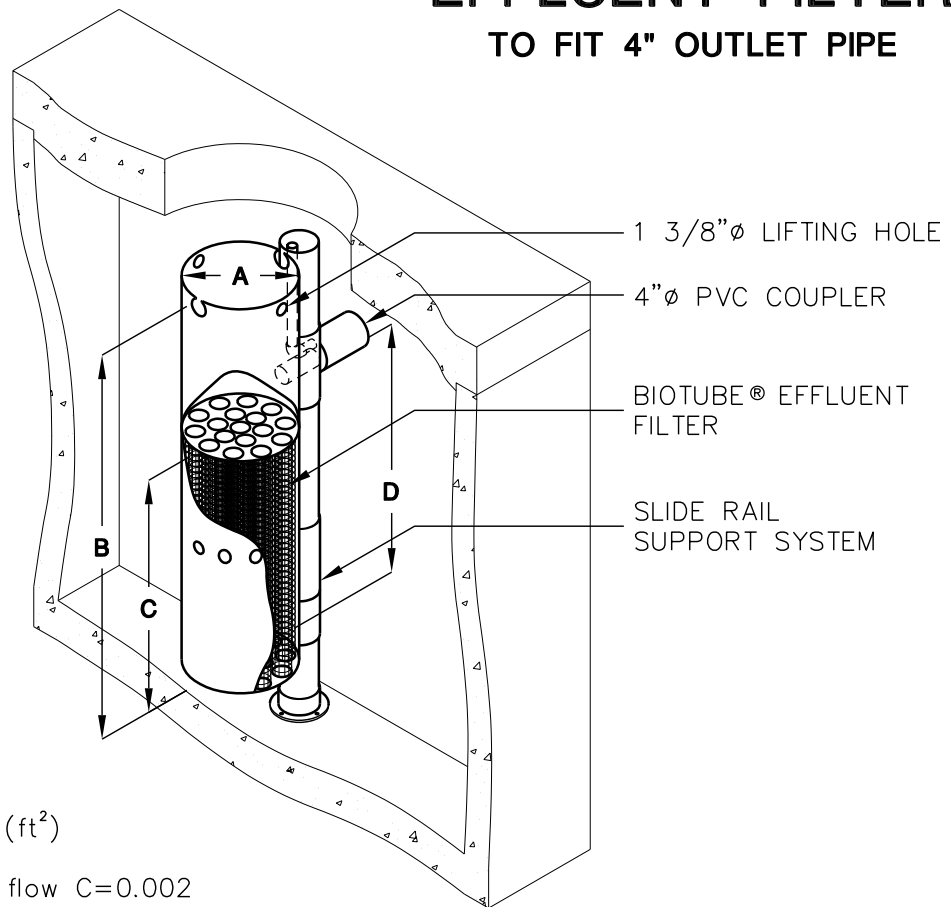


COMMERCIAL EFFLUENT FILTER TO FIT 4" OUTLET PIPE

- ▶ Improves effluent quality, nearly 2 1/2 times less total suspended solids (TSS) than non-filtered tank.
- ▶ No special tools are needed for installation.
- ▶ Extends drain field life.
- ▶ Simple, hassle free maintenance.
- ▶ Optional alarm kit available to indicate when maintenance is needed (recommended).



FILTER SIZING

$$A_s = C_f(Q_{gpd})(MTBC)$$

where:

A_s = Filter surface area (ft²)

C_f = Filter coefficient

For projected daily flow $C = 0.002$

For actual daily average flow $C = 0.0044$

For actual daily average flow with garbage disposal $C = 0.0067$

Q_{gpd} = Average daily flow in gallons (gpd)

MTBC = Mean time between filter cleaning in years

Use of multiple filters or deeper versions of standard filters to achieve desired screen area is an option at any flow.

MODEL NO.	SURFACE AREA	FLOWS*	SLIDE RAIL	"A"	"B"	"C"	"D" **
FT0444-36	5.3 SQ FT	395	NO	4"	44"	36"	37"
FT0854-36	16.8 SQ FT	1253	NO	8"	54"	36"	38"
FT1254-36	33.6 SQ FT	2507	YES	12"	54"	36"	38"
FT1554-36	54 SQ FT	4030	YES	15"	54"	36"	38"
FT1572-54	81 SQ FT	6045	YES	15"	72"	72"	56"

*BASED ON 2 YEAR MTBC AND ACTUAL FLOW WITH GARBAGE DISPOSAL

**DISTANCE FROM INVERT TO BOTTOM OF FILTER HOUSING

FOR COMPLETE DESIGN
AND PRODUCT INFORMATION
CONTACT JENSEN PRECAST.

Biotube[®] is a registered trademark of Orenco Systems,
Inc. Methods of use covered by OSI patent 5,492,635.

JENSEN
PRECAST[®]