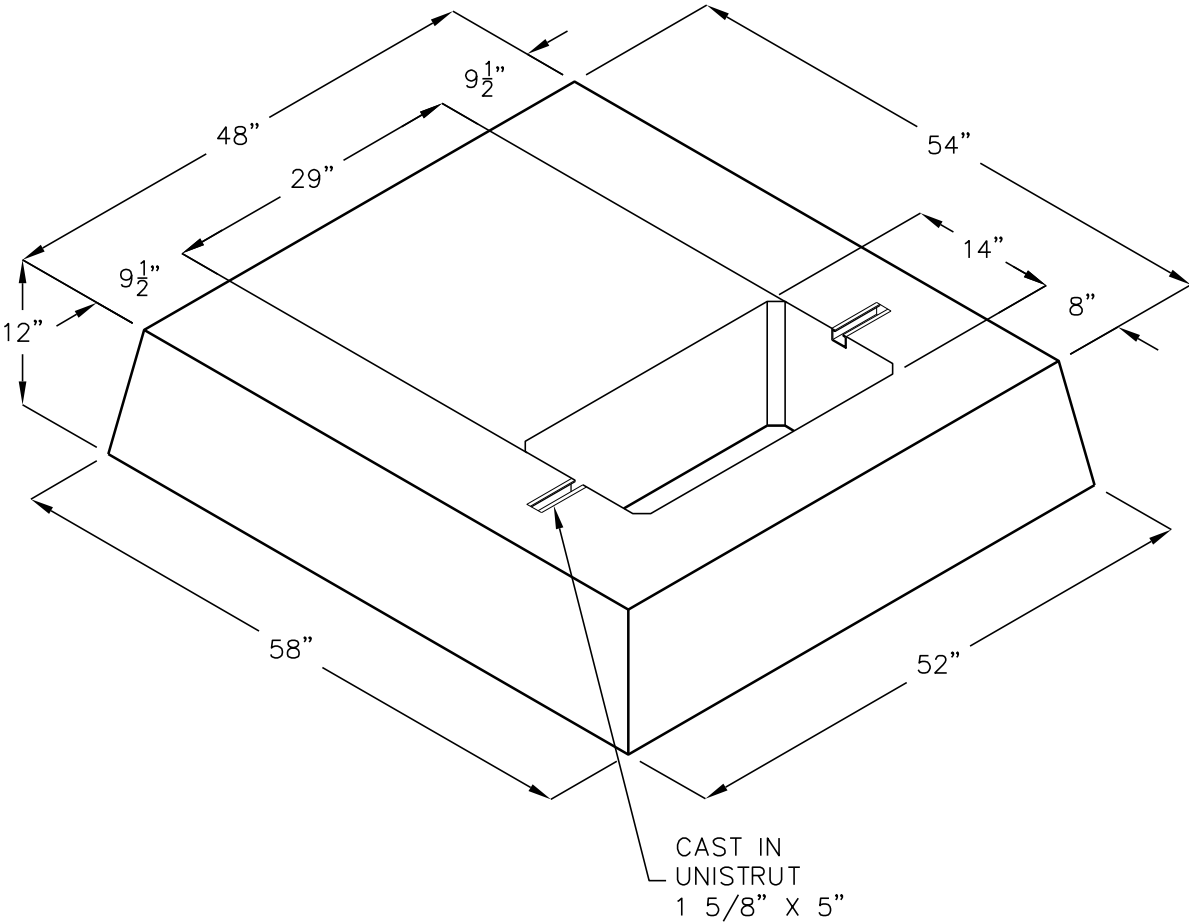


# TRANSFORMER PAD MODEL RP4854

ROSEVILLE POWER  
SINGLE PHASE  
25/167 KVA



APPROX. WEIGHT: 2500 LBS.

FOR COMPLETE DESIGN AND PRODUCT INFORMATION  
CONTACT JENSEN PRECAST.