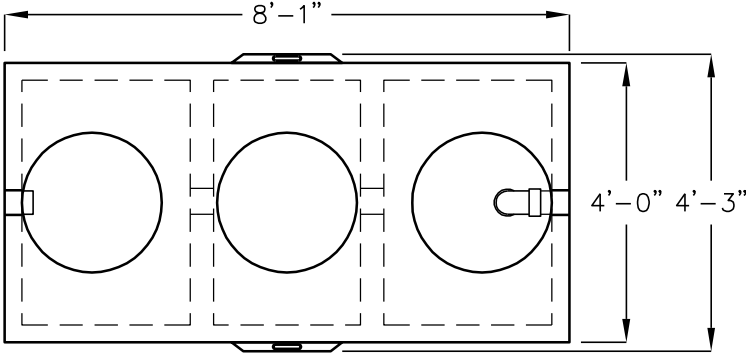
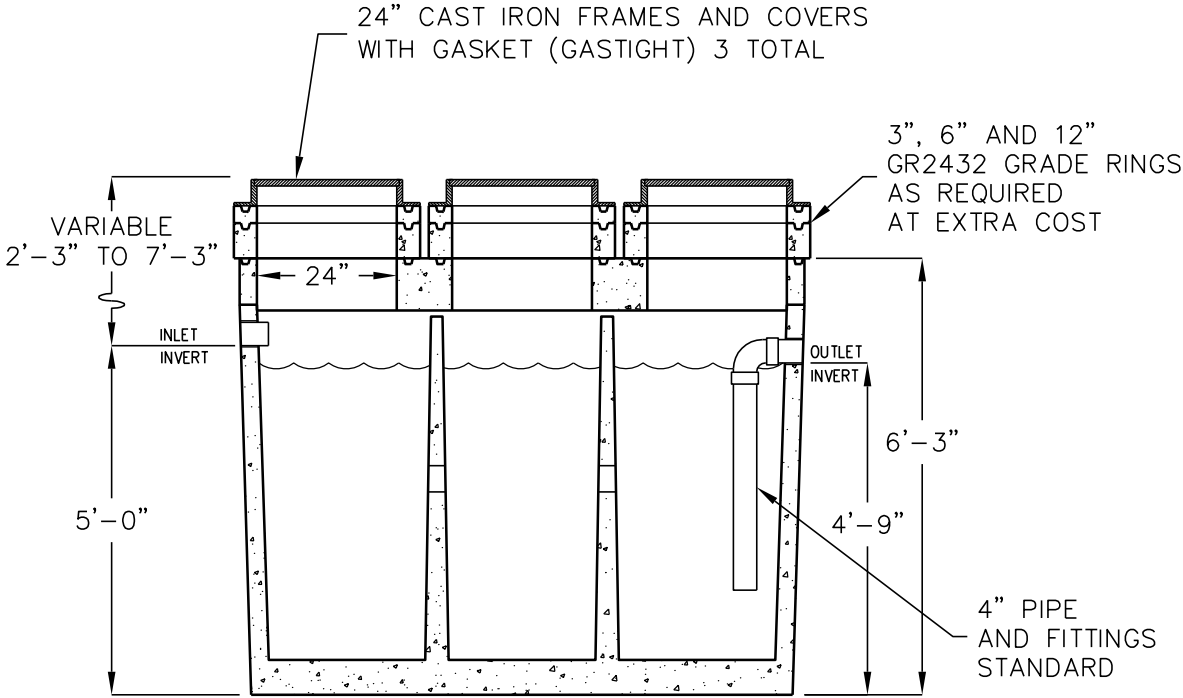


**750 GALLON  
CLARIFIER  
MODEL JP750ECE-CL  
LISTED BY UPC®  
NORTHERN CALIFORNIA**



**TOP VIEW**  
(COVERS & RINGS REMOVED)



**SIDE SECTION VIEW**

OPERATING CAPACITY: 750 GALLONS.

DESIGN LOAD: H-20 TRAFFIC WITH DRY SOIL CONDITIONS  
(WATER LEVEL BELOW TANK) AND 1'-6' EARTH COVER.

SUITABLE SUB-BASE BEDDED WITH GRANULAR MATERIAL SHALL BE  
PREPARED TO HANDLE ANTICIPATED LOADS.

FOR COMPLETE DESIGN AND PRODUCT INFORMATION  
CONTACT JENSEN PRECAST.

|   |
|---|
| <p>MINIMUM EXCAVATION<br/>5'-3" x 9'-1"<br/>x REQ'D DEPTH</p> |
|---|

