

**FOR VEHICLE CONTROL AND CONSTRUCTION SITE SAFETY**

- Reduce Crossover Accidents
- Reduce Liability Exposure
- Reduce Vehicle Damage
- Reduce Traffic Fatalities

**SPECIFICATIONS**

- Approximate Weight per Panel: 10'-3,900 lb. (1,770 kg.), 20'-7,800 lb. (3,540 kg.)
- Laying Length per Panel: 10'-0" (3m), 20'-0" (6m)

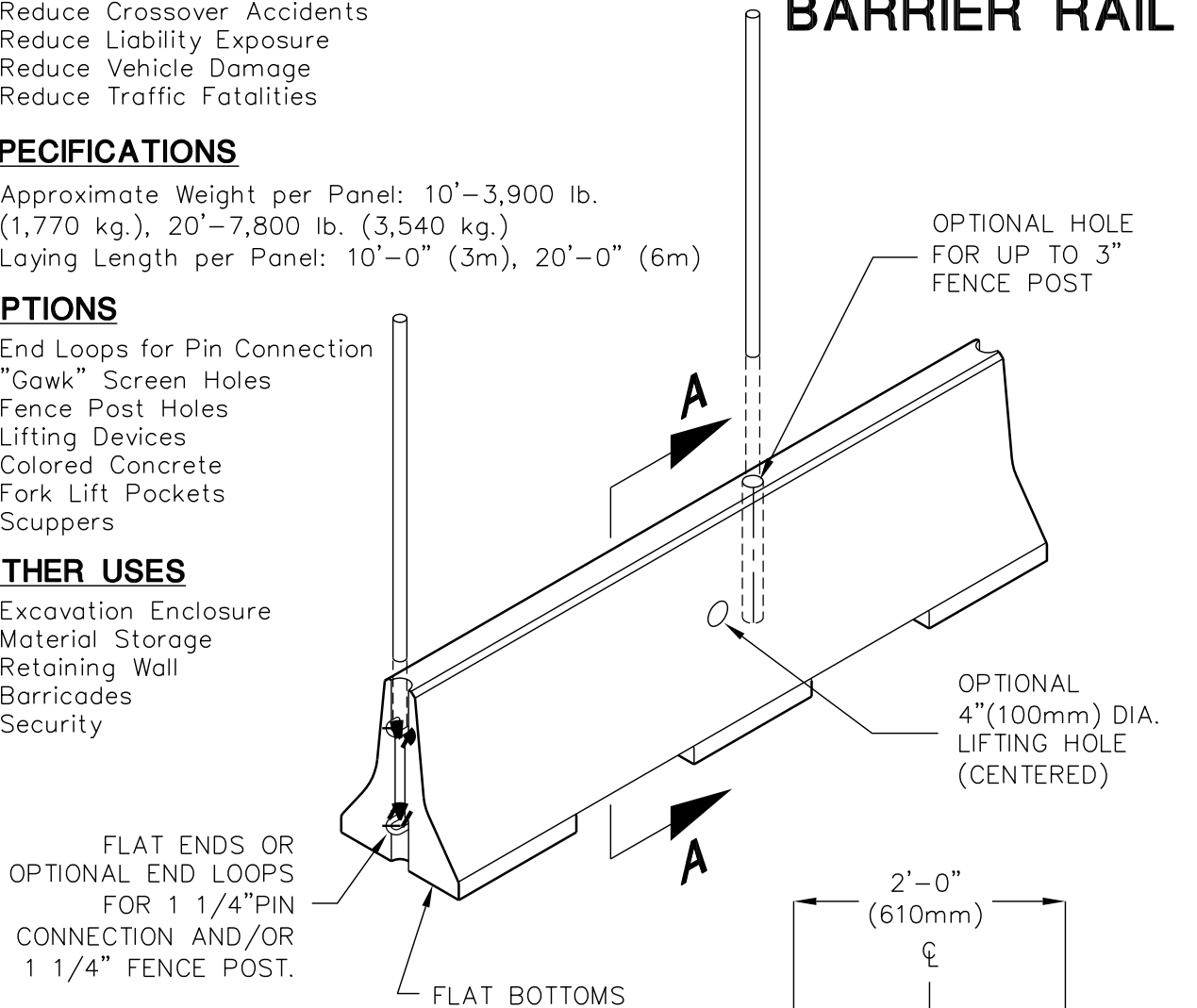
**OPTIONS**

- End Loops for Pin Connection
- "Gawk" Screen Holes
- Fence Post Holes
- Lifting Devices
- Colored Concrete
- Fork Lift Pockets
- Scuppers

**OTHER USES**

- Excavation Enclosure
- Material Storage
- Retaining Wall
- Barricades
- Security

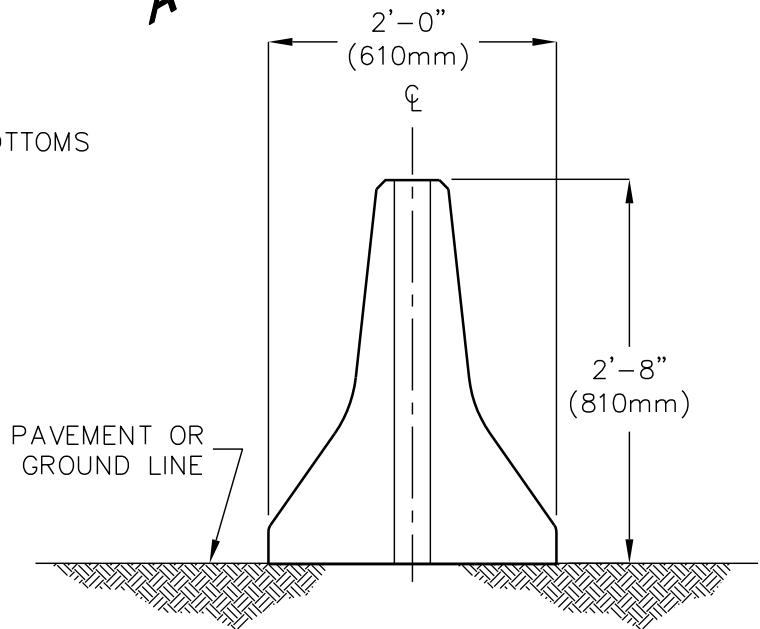
**10' (3m) AND 20' (6m) BARRIER RAIL**



PRECAST CONCRETE BARRIER RAILS IDEALLY SUITED FOR STREET CLOSURES, DETOURS AND CONSTRUCTION SITES. 10ft. OR 20ft. LONG BARRIERS ARE AVAILABLE FOR SALE OR RENTAL ON A SHORT OR LONG DURATION BASIS.

NOTE: METRIC DIMENSIONS ROUNDED TO NEAREST 5mm.

FOR COMPLETE DESIGN AND PRODUCT INFORMATION, CONTACT JENSEN PRECAST.



**SECTION A-A**