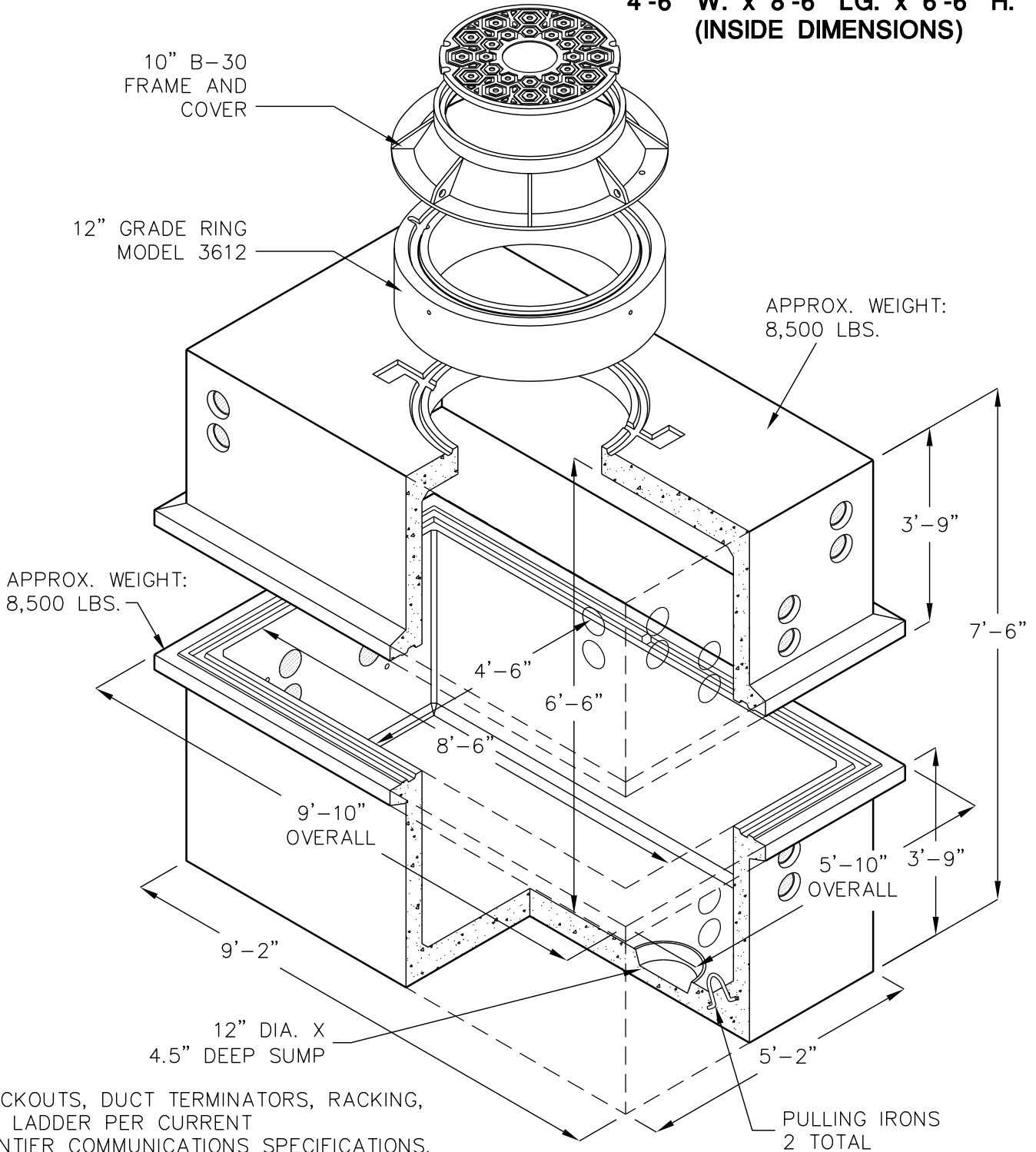


# PTS65 MANHOLE

FRONTIER COMMUNICATIONS  
4'-6" W. x 8'-6" LG. x 6'-6" H.  
(INSIDE DIMENSIONS)



KNOCKOUTS, DUCT TERMINATORS, RACKING,  
AND LADDER PER CURRENT  
FRONTIER COMMUNICATIONS SPECIFICATIONS.

DESIGN LOAD: H-20 FULL TRAFFIC WITH 1' TO 5' EARTH COVER.

FOR COMPLETE DESIGN AND PRODUCT INFORMATION,  
CONTACT JENSEN PRECAST.