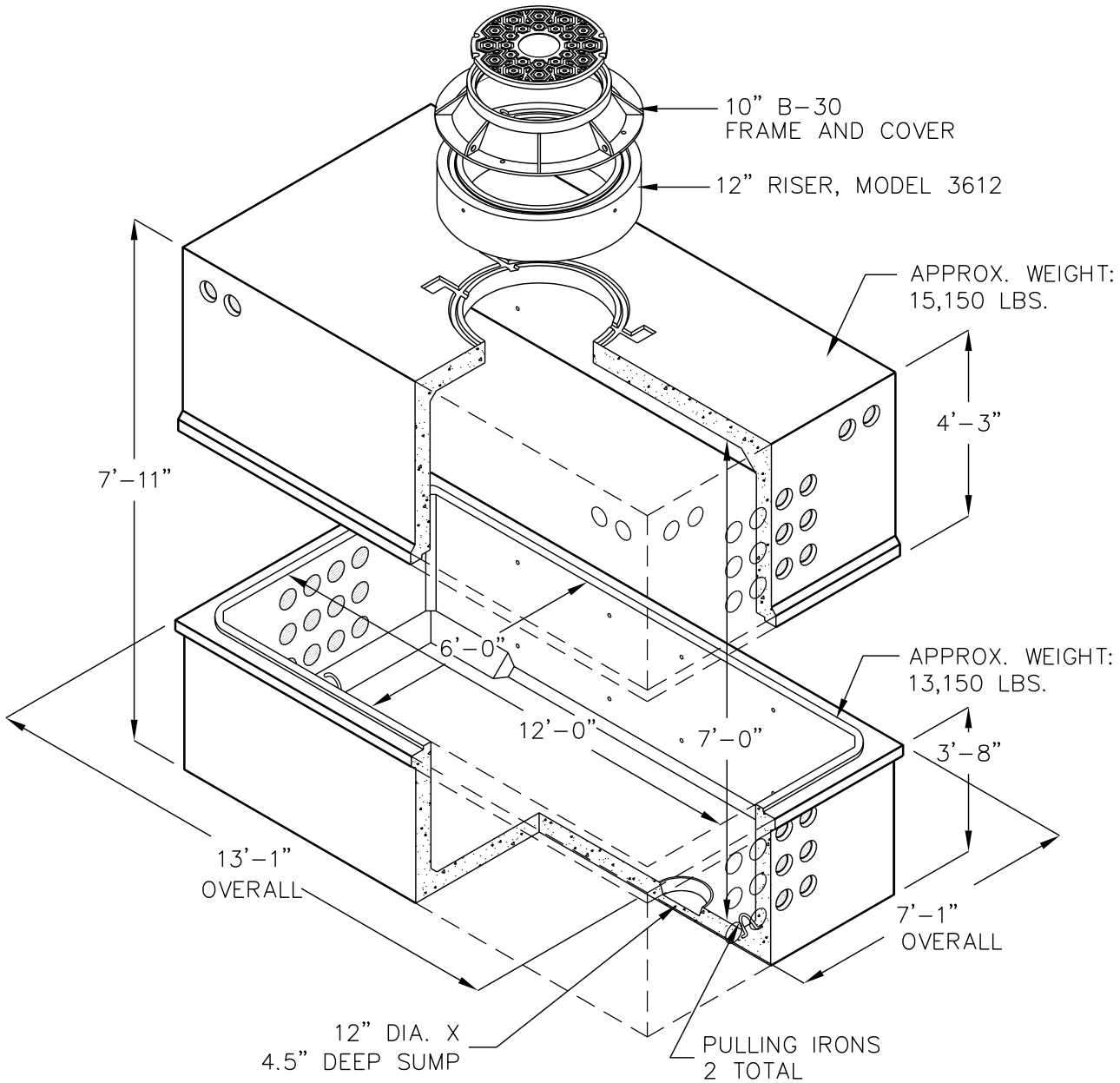


38Y612 MANHOLE

FRONTIER COMMUNICATIONS
6'-0" W. x 12'-0" LG. x 7'-0" H.
(INSIDE DIMENSIONS)



KNOCKOUTS, DUCT TERMINATORS, RACKING, AND LADDER PER
CURRENT FRONTIER COMMUNICATIONS SPECIFICATIONS.

DESIGN LOAD: H-20 TRAFFIC WITH 1' TO 5' EARTH COVER.

FOR COMPLETE DESIGN AND PRODUCT INFORMATION,
CONTACT JENSEN PRECAST.