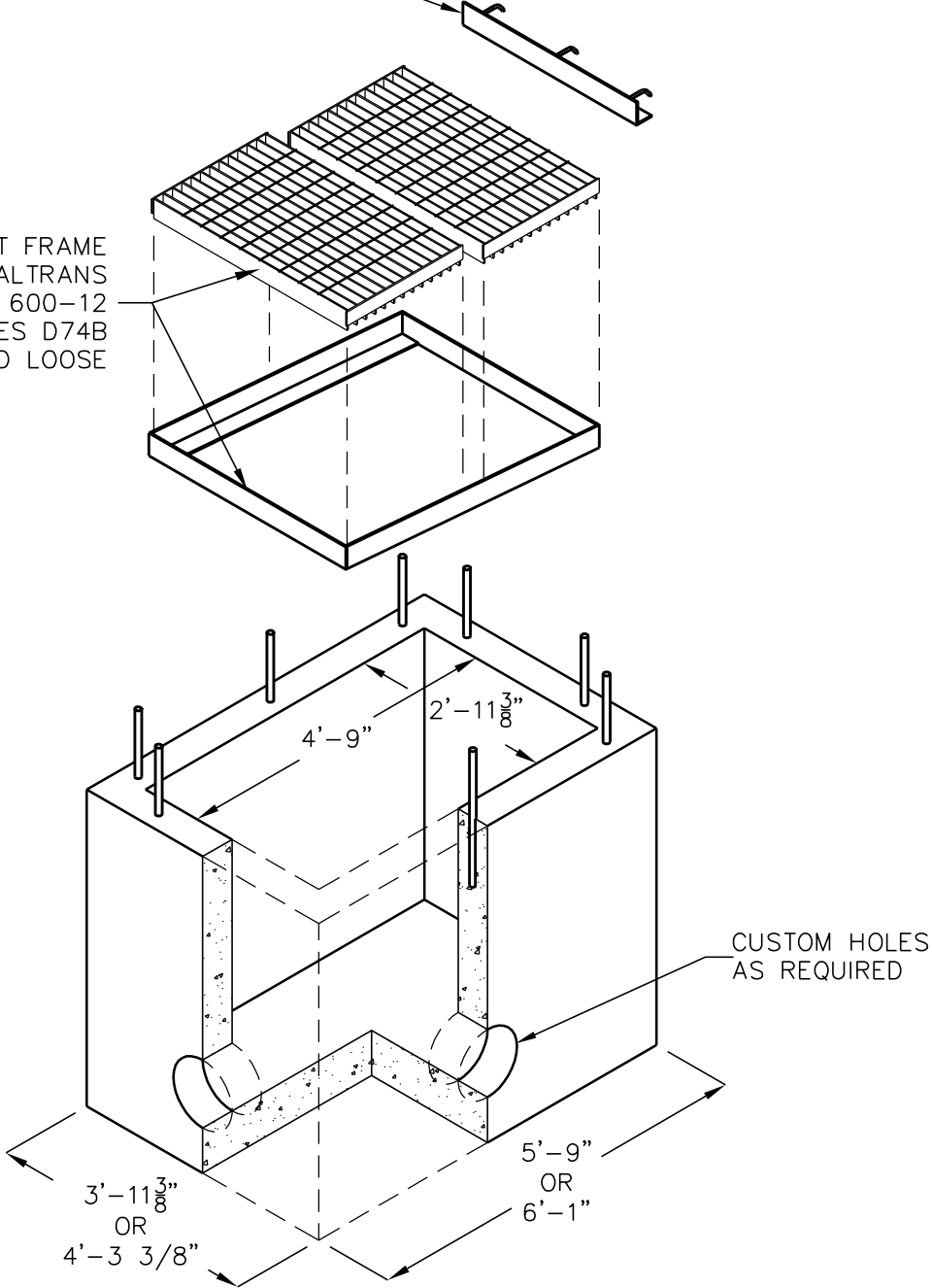


TYPE GDO CURB INLET

FIELD POURED CURB AND GUTTER CALTRANS GDO DRAINAGE INLET

FACE ANGLE
PER STANDARD PLAN
D74C SHIPPED LOOSE

GDO INLET FRAME
AND 2 SETS CALTRANS
TYPE 24-13 600-12
GRATES D74B
SHIPPED LOOSE



NOTES:

- FOR BOX HEIGHT 8'-3" OR LESS WALL THICKNESS IS 6"
- FOR HEIGHTS GREATER THAN 8'-3" WALL THICKNESS IS 8"
- MANHOLE STEPS ARE REQUIRED FOR BOXES OF 30" DEPTH OR GREATER.
- 8" BASE THICKNESS

DESIGN LOAD: H-20 TRAFFIC

FOR COMPLETE DESIGN AND PRODUCT INFORMATION
CONTACT JENSEN PRECAST.

Jensen Precast reserves the right to make changes to product design
and/or dimensions without notice. Please contact Jensen Precast whenever
necessary for confirmation or advice on product design.

