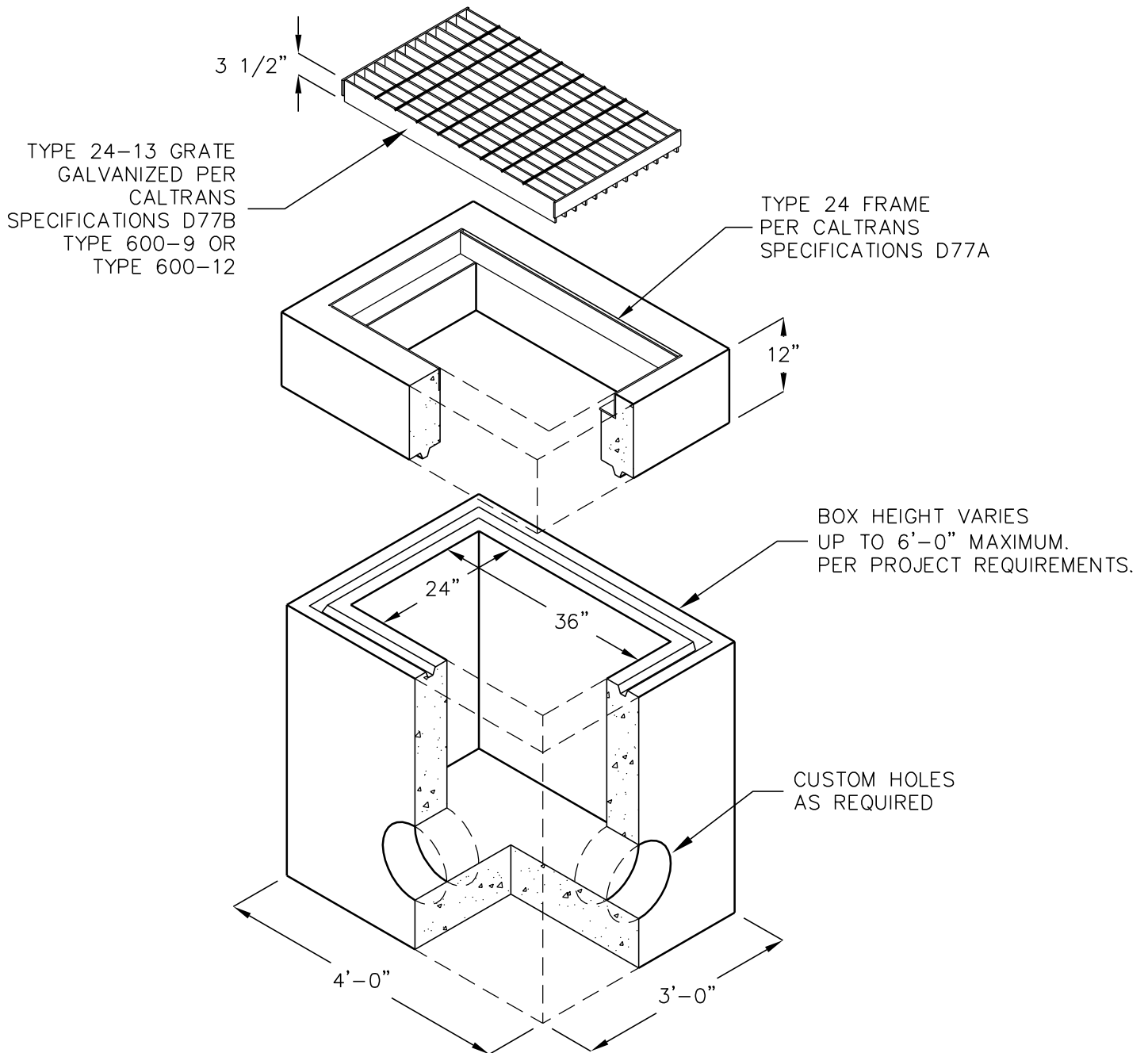


TYPE G1 CURB INLET

CALTRANS G1 DRAINAGE INLET



BOX DESIGN LOAD: H-20 TRAFFIC.

- MAXIMUM INSIDE HEIGHT IS 6'-0".
- MANHOLE STEPS ARE REQUIRED FOR BOXES OF 30" DEPTH OR GREATER.

FOR COMPLETE DESIGN AND PRODUCT INFORMATION
CONTACT JENSEN PRECAST.