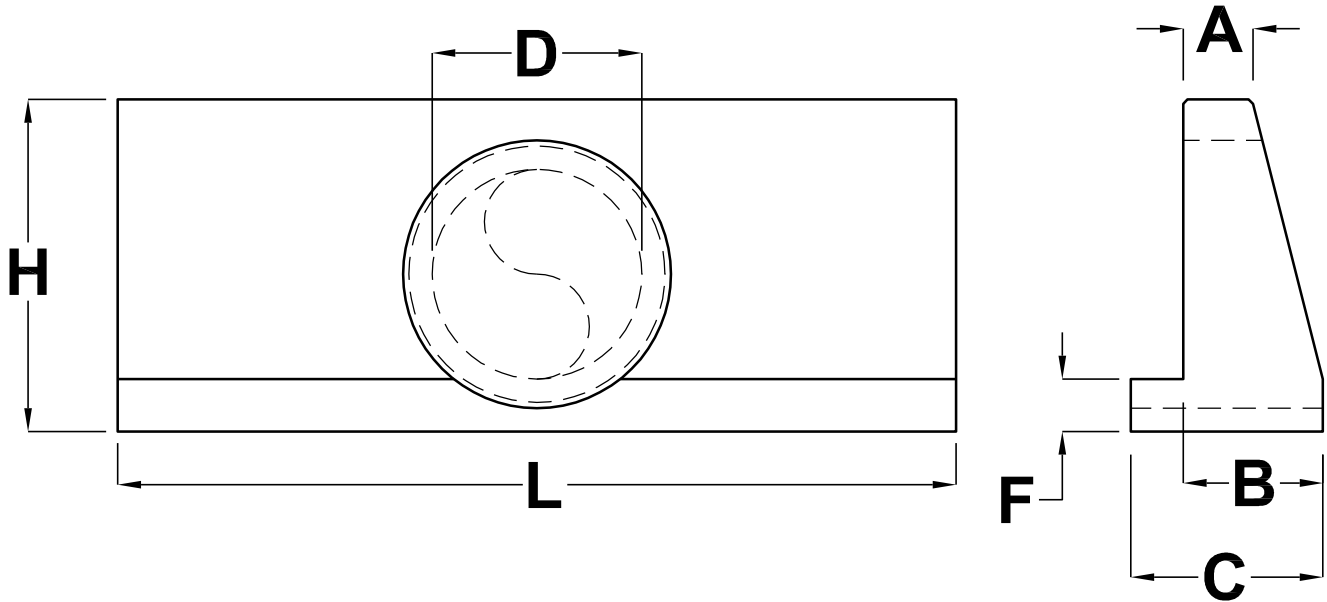


HEADWALL SINGLE PIPE

FEDERAL STANDARD 601-4



D NOMINAL PIPE INSIDE DIAMETER	H	L	A	B	C	F	APPROX.* WEIGHT LBS
6"	2'-0"	3'-8"	6"	9"	1'-2"	6"	770
15"	2'-11"	5'-0"	8"	1'-1"	1'-7"	8"	2110
18"	3'-2"	6'-0"	9"	1'-3"	1'-9"	8"	3040
21" or 24"	3'-9"	8'-0"	11"	1'-6"	2'-2"	9"	5740
27" or 30"	4'-3"	10'-0"	1'-0"	1'-9"	2'-6"	9"	9020
33" or 36"	4'-9"	12'-0"	1'-0"	2'-0"	2'-9"	9"	12,930

*WEIGHT CAN VARY WITH PIPE TYPE AND ANGLE

NOTES:

SPECIFY PIPE SIZE AND TYPE WHEN ORDERING.

FOR COMPLETE DESIGN AND PRODUCT INFORMATION CONTACT JENSEN PRECAST.