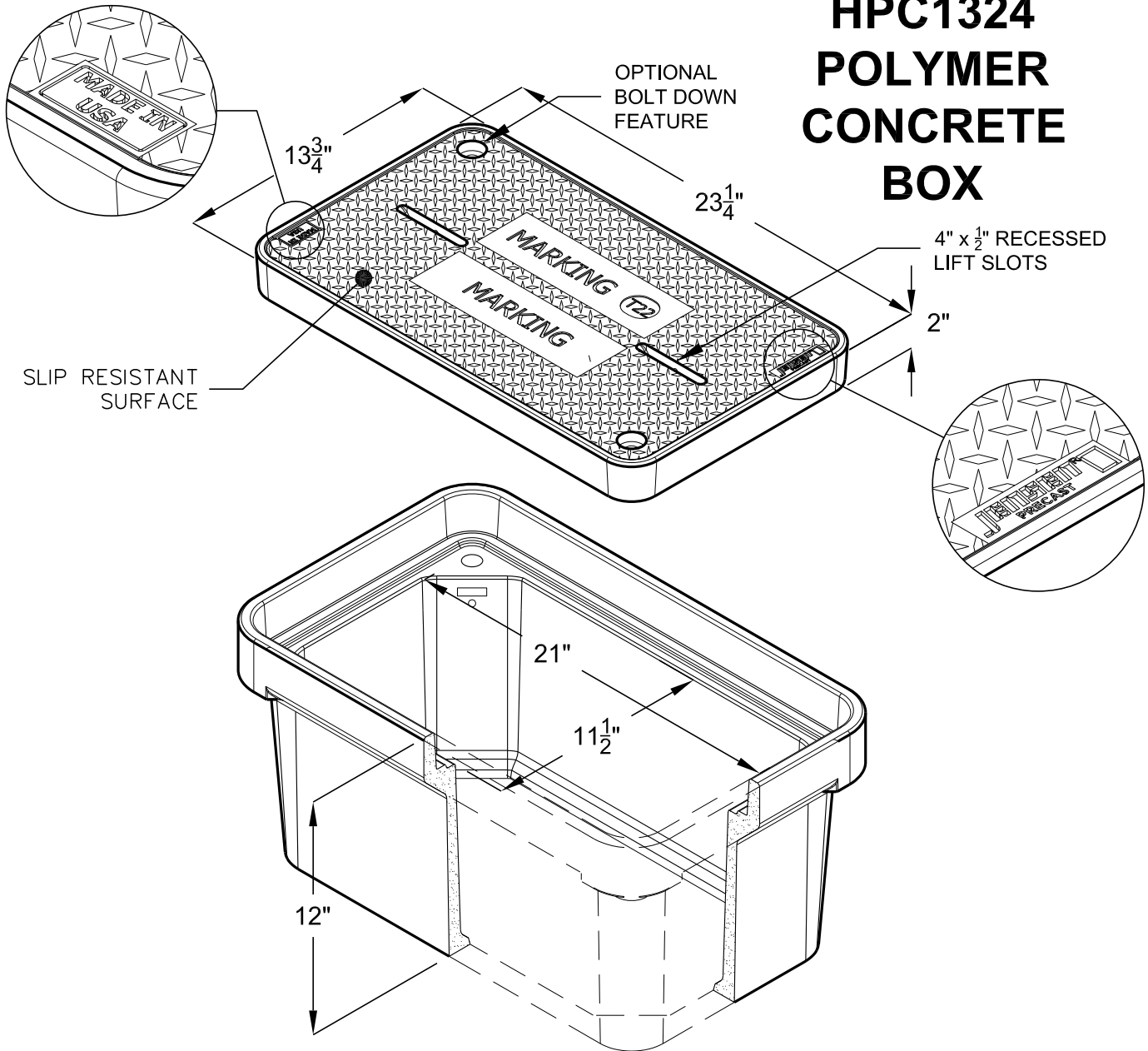


HPC1324 POLYMER CONCRETE BOX



Hardware:

- Stainless Steel $\frac{1}{2}$ " and $\frac{3}{8}$ "
- Hex Head Standard Bolts
- Penta Head Bolts
- One Way Security Bolts
- Security Torque Bolts

Options:

- Standard and custom Nameplates
- Mouse Holes
- Knock Outs
- Power EMS Cover
- AMR Cver

Load Ratings

- ANSI/SCTE77 Tier 15 & Tier 22
- WUC 3.6

Boxes are Open Bottom and Stackable.

PART NO.	DESCRIPTION	APPROX. WEIGHT LBS.	QTY. PER PALLET
HPC1324-12B V0	13"x24"x12" Polymer Box V0	48	25
HPC1324-18B V0	13"x24"x18" Polymer Box V0	70	12
HPC1324-T15-L01	Polymer Concrete Bolt Down Lid- Tier 15 Rated	29	40
HPC1324-T22-L01	Polymer Concrete Bolt Down Lid - Tier 22 Rated	43	40
HPC1324-T15-L02	Polymer Concrete Non- Bolt Down Lid- Tier 15 Rated	29	40
HPC1324-T22-L02	Polymer Concrete Non- Bolt Down Lid - Tier 22 Rated	43	40

A Jensen Precast reserves the right to make changes to product design and/or dimensions without notice. Please contact Jensen Precast whenever necessary for confirmation or advice on product design.