

NO. 9 PULL BOX

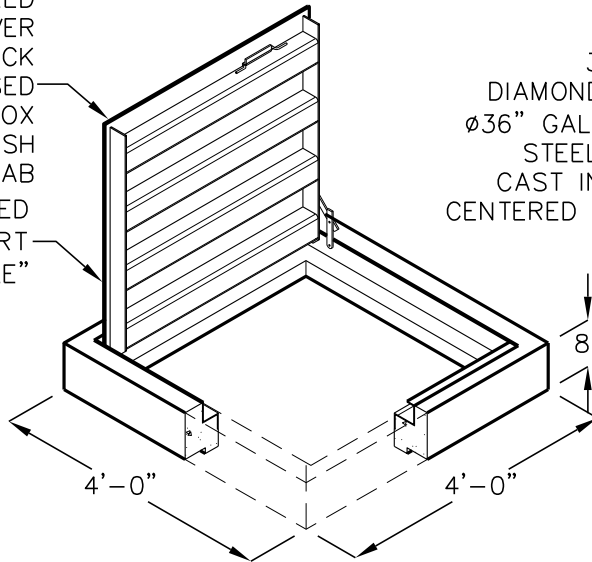
3'-6"x3'-6"x3'-2"
(NOMINAL INSIDE DIMENSIONS)

TOWN OF GILBERT
PB9-TOG

INCIDENTAL H-20 TRAFFIC OPTION

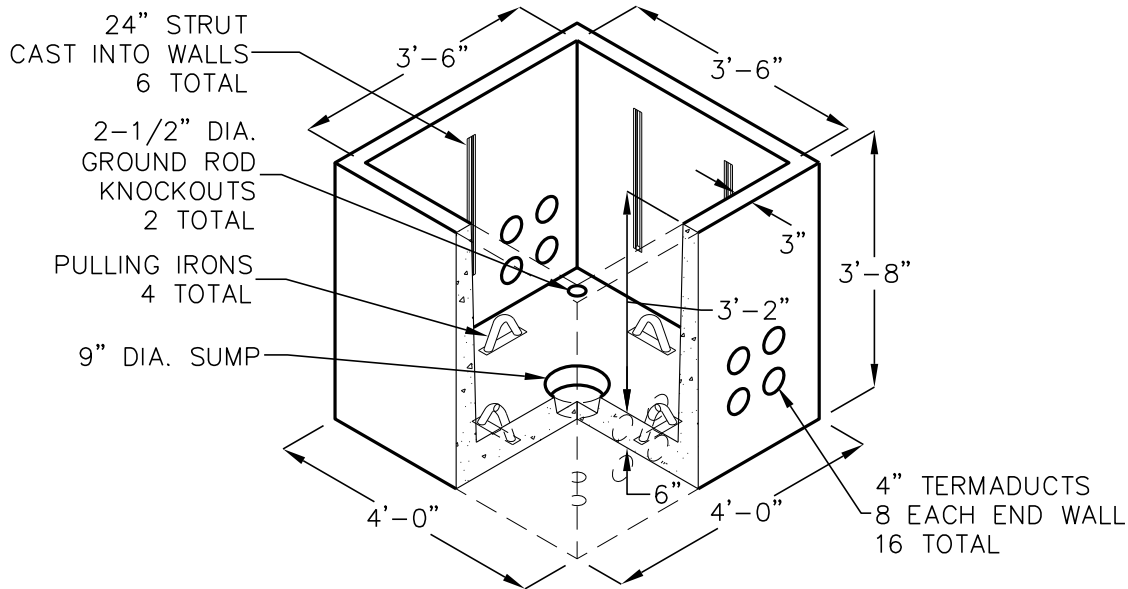
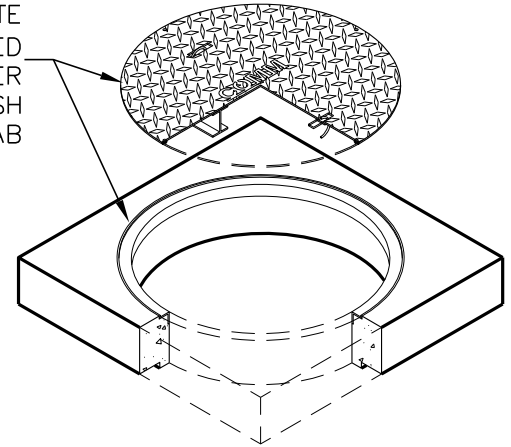
FOR USE IN OFF STREET LOCATIONS

36"x36" GALVANIZED
SPRING ASSISTED COVER
WITH 180° LAYBACK
AND RECESSED
PADLOCK BOX
CAST IN FLUSH
CENTERED IN SLAB
COVER MARKED
"TOWN OF GILBERT
FIBER OPTIC CABLE"



PEDESTRIAN LOADING OPTION

300 PSF
DIAMOND PLATE
Ø36" GALVANIZED
STEEL COVER
CAST IN FLUSH
CENTERED IN SLAB



DESIGN LOAD: SEE COVER OPTIONS. MAXIMUM OF 5 FEET SOIL COVER.

WATER TABLE ASSUMED TO BE BELOW BOTTOM OF STRUCTURE.

FOR COMPLETE DESIGN AND PRODUCT INFORMATION CONTACT JENSEN PRECAST.

Jensen Precast reserves the right to make changes to product design and/or dimensions without notice. Please contact Jensen Precast whenever necessary for confirmation or advice on product design.

