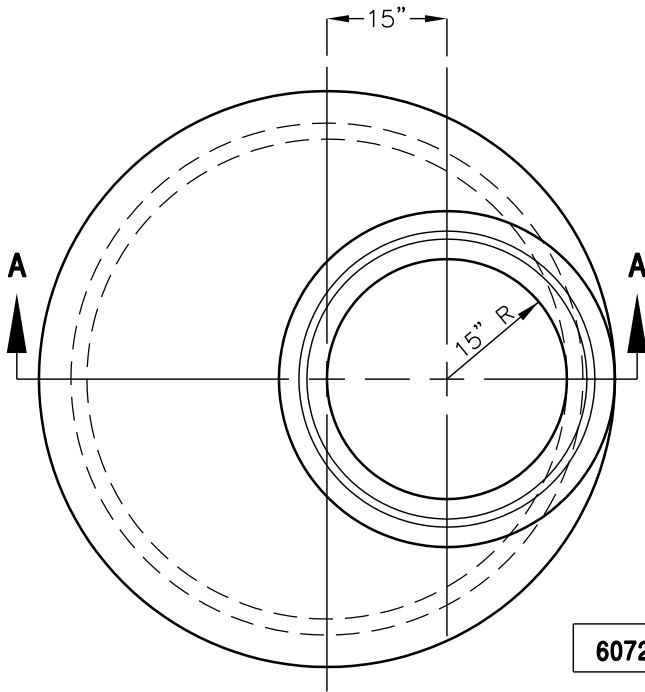


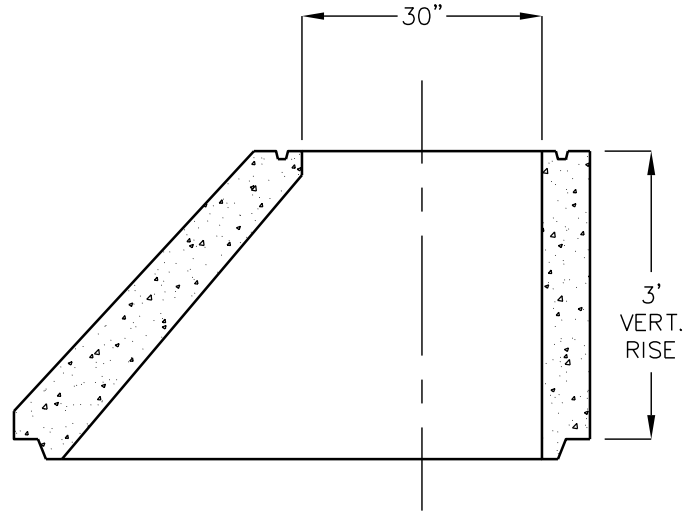
# 60" I.D. x 6" WALL 36" ECC CONE

MARICOPA ASSOCIATION  
OF GOVERNMENTS

DETAIL 420



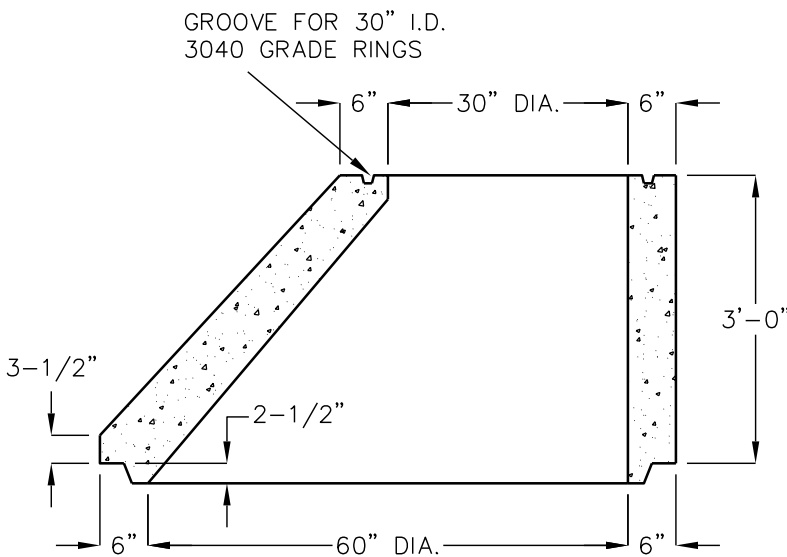
PLAN VIEW



SECTION A-A

APPROX. WT.	
6072EC30-36 ECC CONE	3900 LBS.

CONFORMS TO ASTM SPECS C-478  
and AASHTO No. M199.



SIDE VIEW

FOR COMPLETE DESIGN,  
AND PRODUCT INFORMATION,  
CONTACT JENSEN PRECAST.