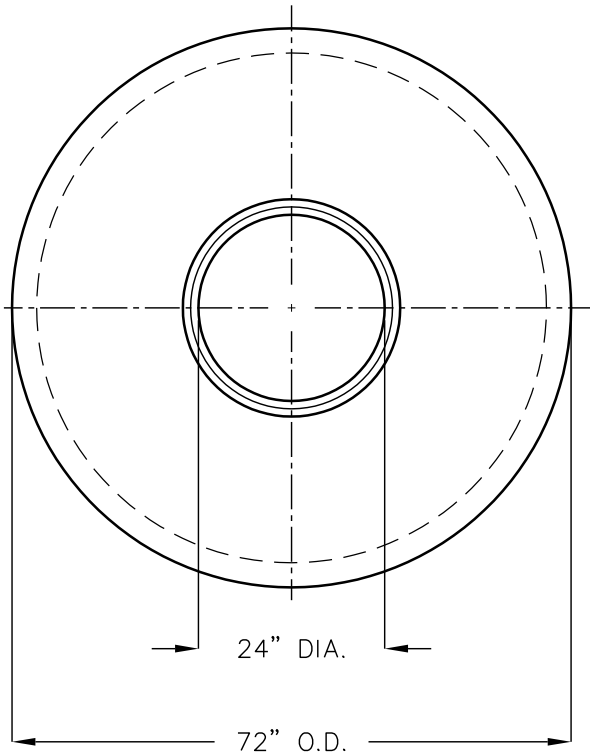
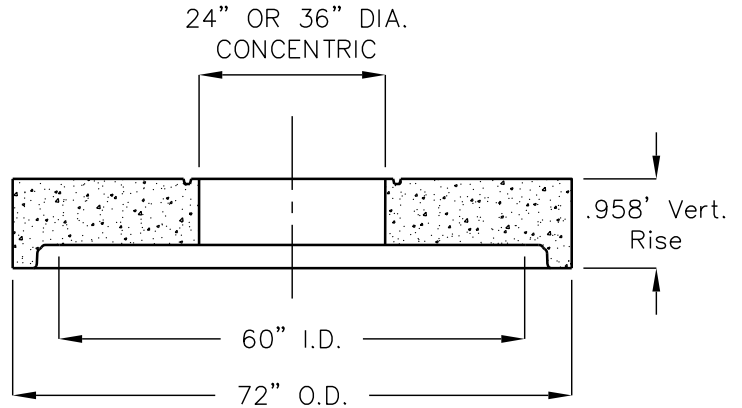


60" I.D. x 6" WALL FLAT TOP WITH CONCENTRIC ACCESS OPENING

(24" DIA. ACCESS OPENING SHOWN)



TOP VIEW

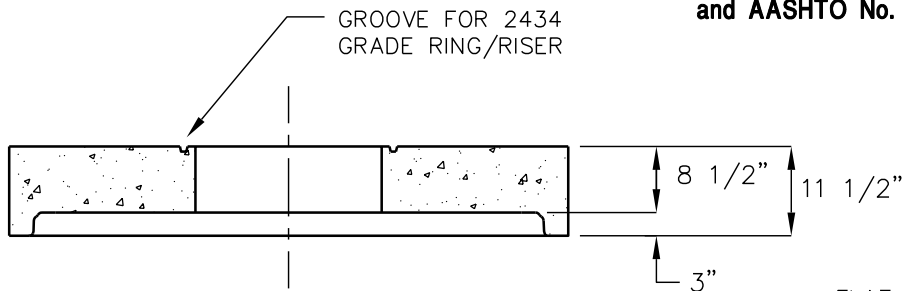


SIDE SECTION VIEW

APPROX. WT.

6072FT-24C CON FLAT TOP	3088 LBS.
6072FT-36C CON FLAT TOP	2614 LBS.

CONFORMS TO ASTM SPECS C-478
and AASHTO No. M199.



SIDE SECTION VIEW

FLAT TOPS AND BASE SLABS
ARE DESIGNED TO AASHTO
HS-20 WHEEL LOADING.

FOR COMPLETE DESIGN,
AND PRODUCT INFORMATION
CONTACT JENSEN PRECAST.