

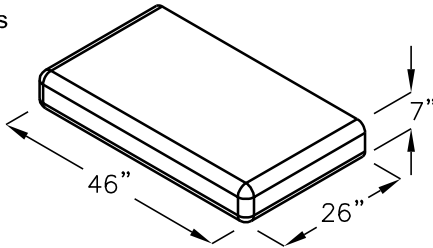
# BIG BLOCK WALL SYSTEM

## REDI-ROCK™ RETAINING WALL CORNER BLOCKS AND STEPS

### STEPS USED WITH 28" SERIES BLOCKS

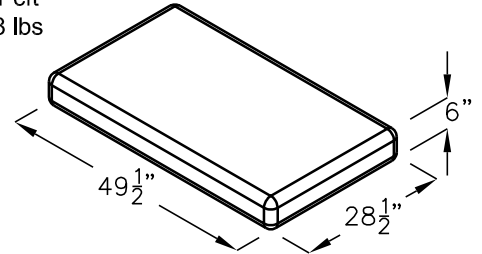
#### 3-Sided Straight Step

Volume = 4.58 cft  
Weight = ±655 lbs



#### 4-Sided 6" Cap Block

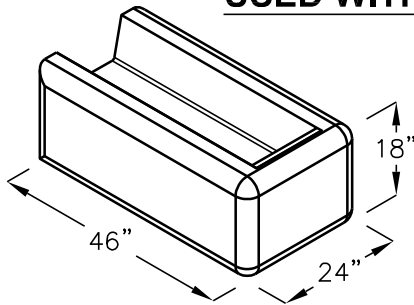
Volume = 4.81 cft  
Weight = ±688 lbs



### CORNER BLOCK FINISHED ON THREE SIDES PERIMETER FREE-STANDING SERIES USED WITH 28" SERIES BLOCKS

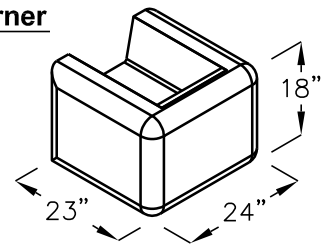
#### Garden Corner

Volume = 8.26 cft  
Weight = ±1182 lbs



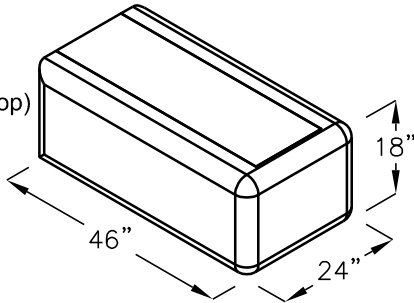
#### Half Garden Corner

Volume = 4.25 cft  
Weight = ±607 lbs



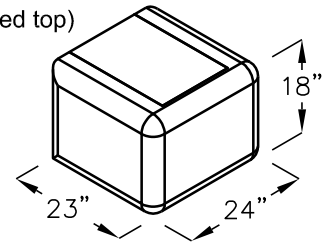
#### Top Corner

(available with textured top)  
Volume = 10.44 cft  
Weight = ±1493 lbs



#### Half Top Corner

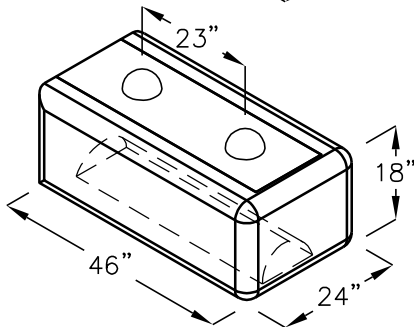
(available with textured top)  
Volume = 5.19 cft  
Weight = ±742 lbs



#### Middle Corner

Volume = 10.51 cft  
Weight = ±1502 lbs

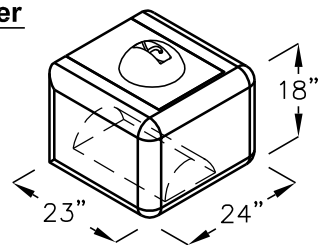
(Bottom Corner Block does not have groove)



#### Half Middle Corner

Volume = 5.28 cft  
Weight = ±755 lbs

(Half Bottom Corner Block does not have groove)



WEIGHTS MAY VARY.

FOR COMPLETE DESIGN AND PRODUCT INFORMATION  
CONTACT JENSEN PRECAST.

Jensen Precast reserves the right to make changes to product design and/or dimensions without notice. Please contact Jensen Precast whenever necessary for confirmation or advice on product design.