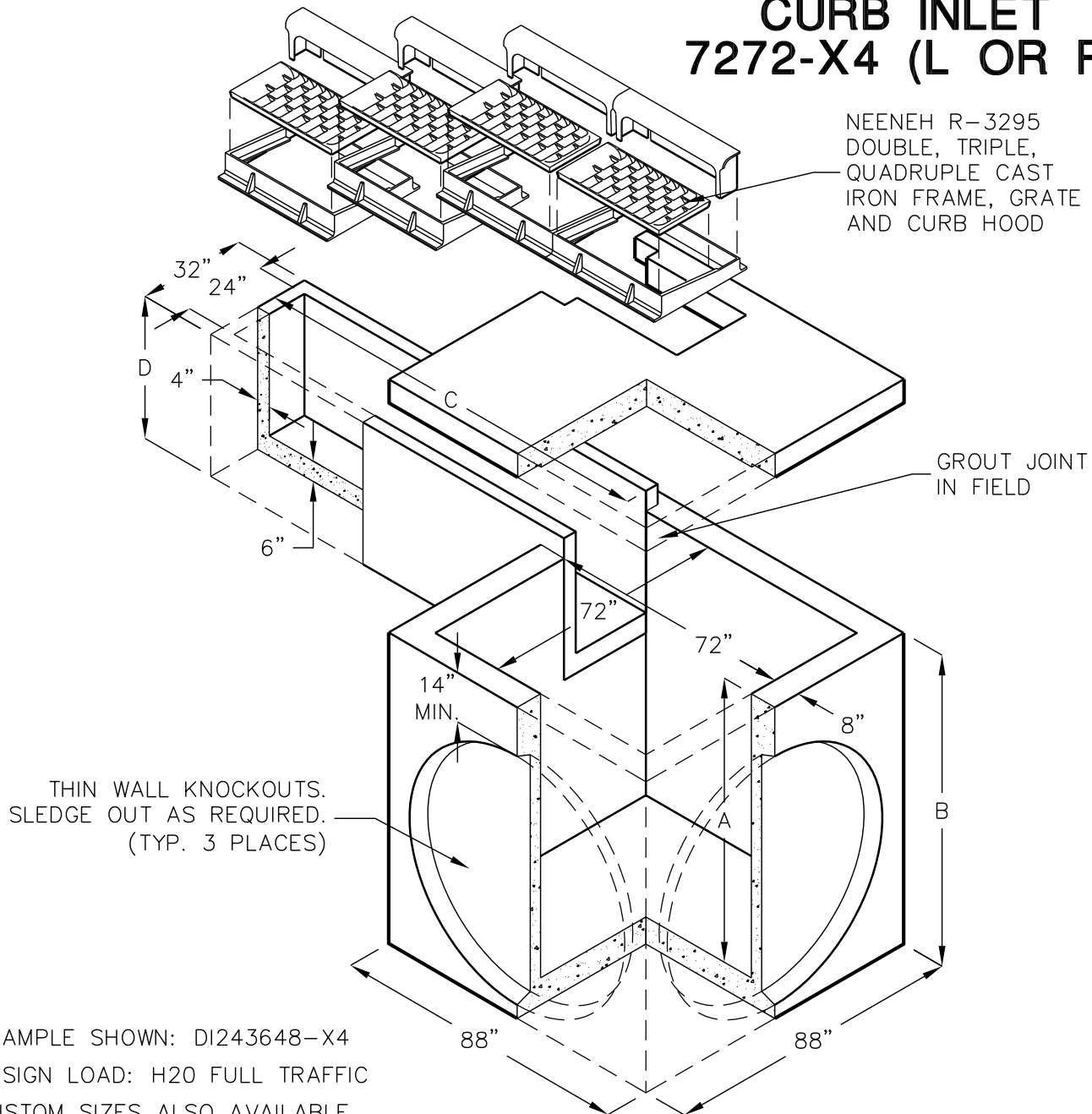


# HIGH CAPACITY CURB INLET 7272-X4 (L OR R)

NEENEH R-3295  
DOUBLE, TRIPLE,  
QUADRUPLE CAST  
IRON FRAME, GRATE  
AND CURB HOOD



EXAMPLE SHOWN: DI243648-X4  
DESIGN LOAD: H20 FULL TRAFFIC  
CUSTOM SIZES ALSO AVAILABLE.  
DIMENSION 'C' = VARIABLE AS REQUIRED.  
DIMENSION 'D' = VARIABLE UP TO 78" MAX (72" I.D.).

Model No.			Dimensions	
DI Model	Model Suffix	Left or Right	A	B
DI727248-	X2, X3, X4	L OR R (LEFT SHOWN)	48"	54"
DI727260-			60"	66"
DI727272-			72"	78"
DI727284-			84"	90"

Model Suffix	No. of Grates	Dimensions	
		C	D
X2	2	41 1/2"	36"
X3	3	79"	48"
X4	4	116 1/2"	60"

FOR COMPLETE DESIGN  
AND PRODUCT INFORMATION,  
CONTACT JENSEN PRECAST.