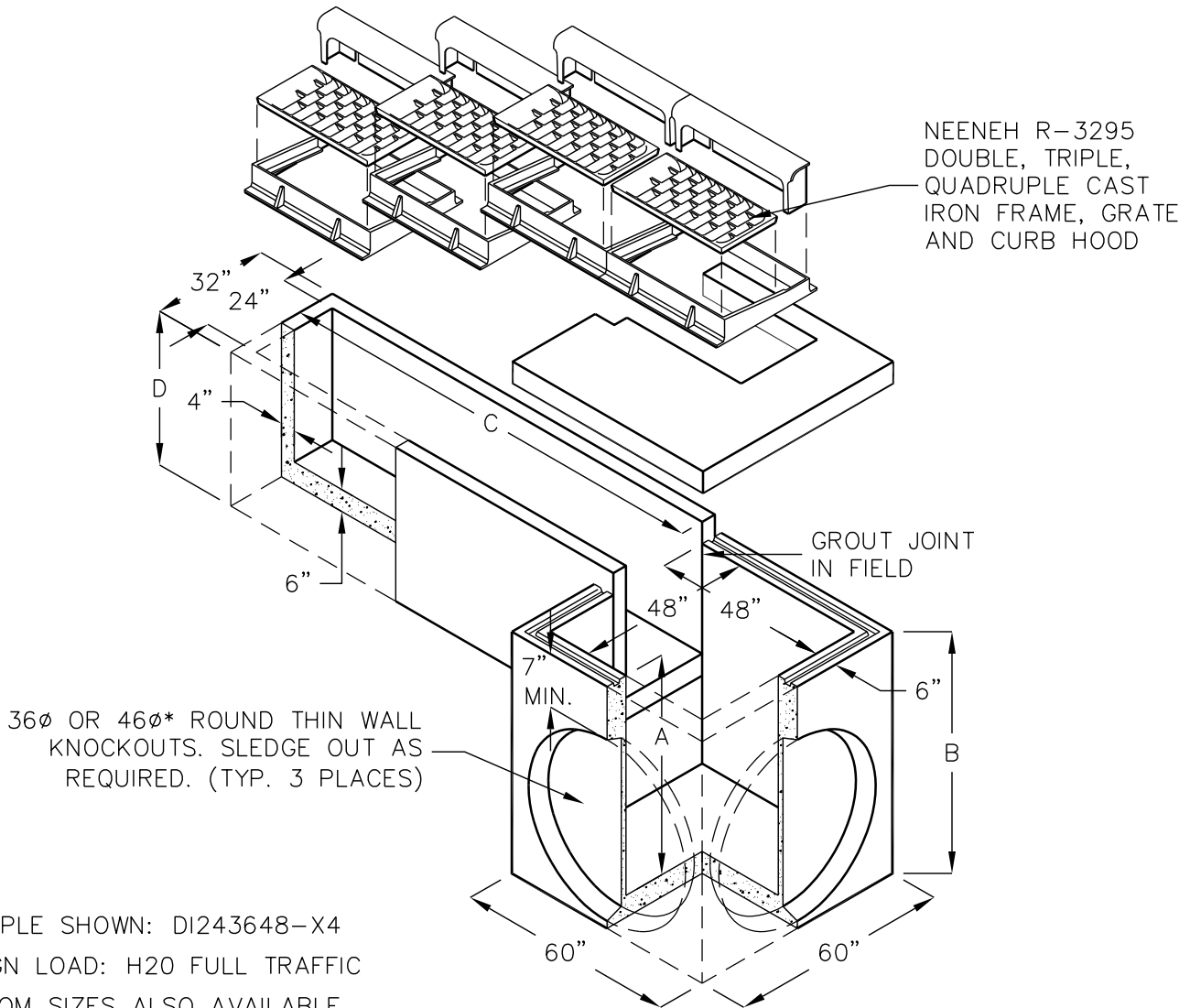


HIGH CAPACITY CURB INLET 4848-X4 (L OR R)



EXAMPLE SHOWN: DI243648-X4
DESIGN LOAD: H2O FULL TRAFFIC
CUSTOM SIZES ALSO AVAILABLE.
DIMENSION 'C' = VARIABLE AS REQUIRED.
DIMENSION 'D' = VARIABLE UP TO 78" MAX (72" I.D.).

| Model No. | | | Dimensions | |
|-----------|--------------|---------------------------|------------|-----|
| DI Model | Model Suffix | Left or Right | A | B |
| DI484836- | X2, X3, X4 | L OR R (LEFT SHOWN) | 36" | 42" |
| DI484848- | | | 48" | 54" |
| DI484860- | | | 60" | 66" |
| DI484872- | | | 72" | 78" |

| Model Suffix | No. of Grates | Dimensions | |
|--------------|---------------|------------|-----|
| | | C | D |
| X2 | 2 | 41 1/2" | 36" |
| X3 | 3 | 79" | 48" |
| X4 | 4 | 116 1/2" | 60" |

FOR COMPLETE DESIGN
AND PRODUCT INFORMATION,
CONTACT JENSEN PRECAST.