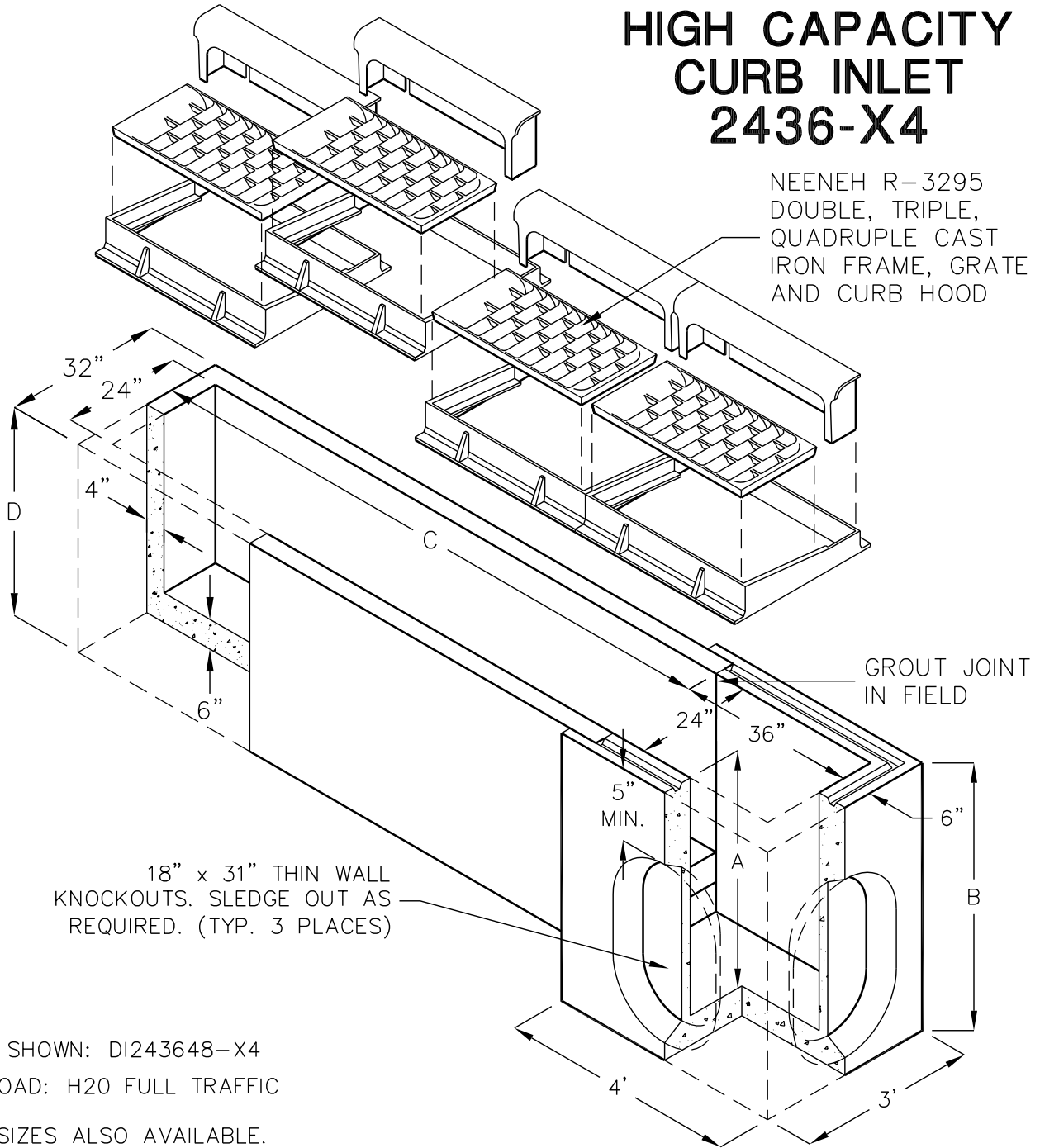


HIGH CAPACITY CURB INLET 2436-X4

NEENEH R-3295
DOUBLE, TRIPLE,
QUADRUPLE CAST
IRON FRAME, GRATE
AND CURB HOOD



EXAMPLE SHOWN: DI243648-X4
DESIGN LOAD: H20 FULL TRAFFIC

CUSTOM SIZES ALSO AVAILABLE.
DIMENSION 'C' = VARIABLE AS REQUIRED.
DIMENSION 'D' = VARIABLE UP TO 78" MAX (72" I.D.).

Model No.		Dimensions	
DI Model	Model Suffix	A	B
DI243636-	X2, X3, X4	36"	42"
DI243648-		48"	54"
DI243660-		60"	66"
DI243672-		72"	78"

Model Suffix	No. of Grates	Dimensions	
		C	D
X2	2	41 1/2"	36"
X3	3	79"	48"
X4	4	116 1/2"	60"

FOR COMPLETE DESIGN
AND PRODUCT INFORMATION,
CONTACT JENSEN PRECAST.