

6060 DROP INLET

5' x 5' x 6' I.D.

MODEL A-1024
FRAME AND COVER
(284 LBS.)

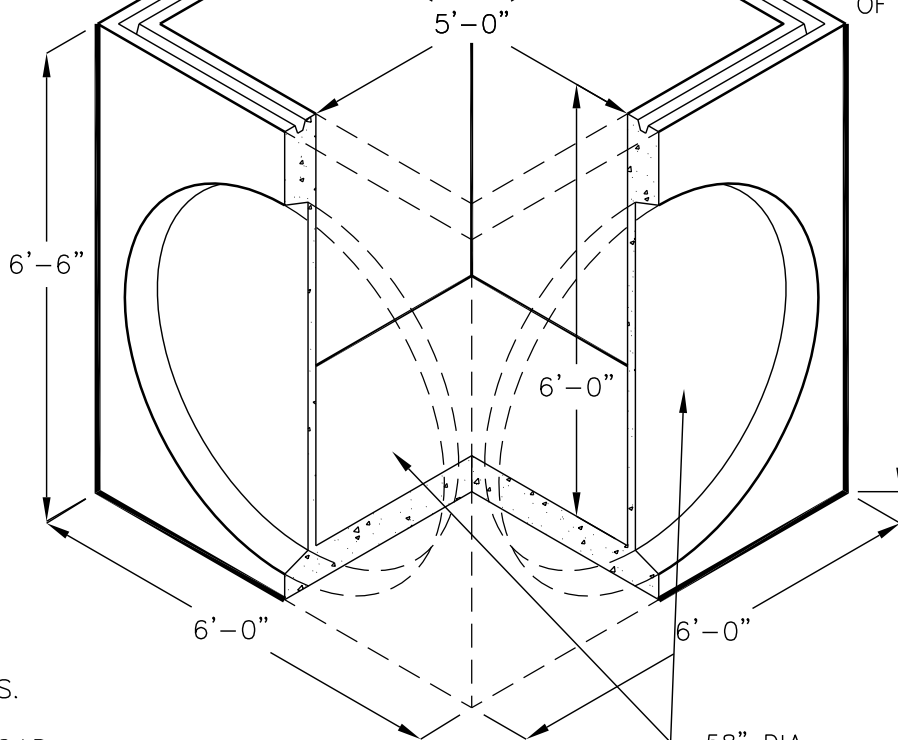
OR
MODEL C-2669
FRAME AND GRATE
(282 LBS.)

24" ACCESS
OPENING

6"

6060-24C
SLAB COVER
(2464 LBS.)

7'-5"
OVERALL
HEIGHT
TO TOP
OF LID



APPROX. WT.
BOX: 8182 LBS.

BOX DESIGN LOAD:
H2O TRAFFIC

FOR COMPLETE DESIGN
AND PRODUCT INFORMATION
CONTACT JENSEN PRECAST.

58" DIA.
THINWALL
KNOCKOUT
1 EA. WALL
4 TOTAL