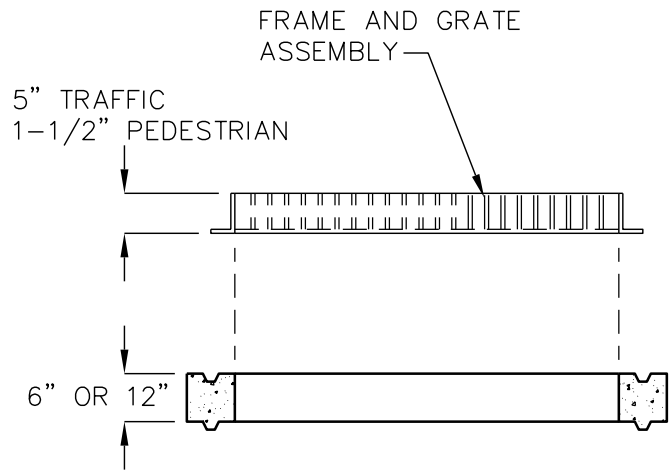
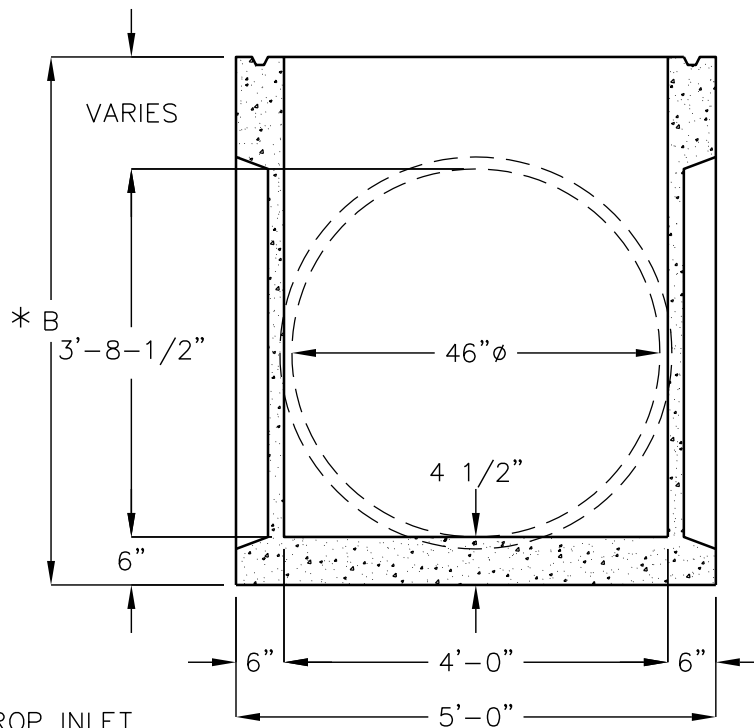


**TOP VIEW-BOX
WITH FRAME AND GRATE
REMOVED**



**EXTENSION
WITH LOOSE FRAME
AND GRATE SHOWN**



**SECTION
48"x48" DROP INLET**