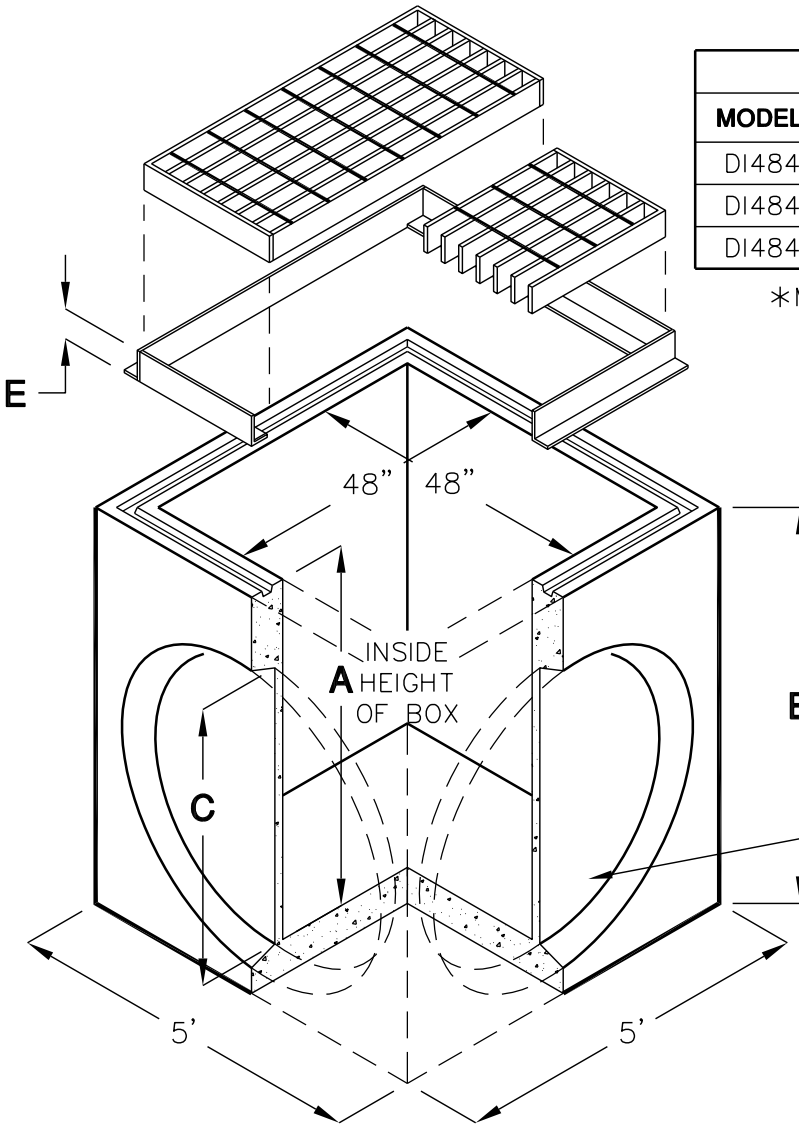


48"x48" DROP INLET

UP TO 6'-0" INSIDE DEPTH

FRAME AND GRATE			
MODEL NO.	RATING	E	WEIGHT
FG4848P	PEDESTRIAN	1 1/2"	242 LBS.
FG4848I	TRAFFIC	5"	1000 LBS.



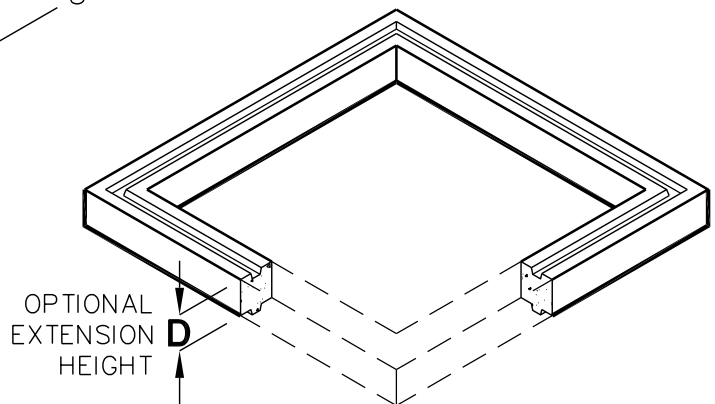
DROP INLET				
MODEL NO.	A	B	C	BOX WEIGHT
DI484848*	48"	54"	36"	4995 LBS.
DI484860	60"	66"	46"	6433 LBS.
DI484872	72"	78"	46"	7872 LBS.

*MAX. KNOCKOUT SIZE 36"Ø.

B OUTSIDE HEIGHT OF BOX

THIN WALL KNOCKOUTS.
36"Ø OR 46"Ø.
SLEDGE OUT AS REQUIRED.
(TYP. 4 PLACES)

EXTENSION		
MODEL NO.	D	WEIGHT
RS484806	6"	675 LBS.
RS484812	12"	1350 LBS.



BOX
DESIGN LOAD:
H-20 TRAFFIC

FOR COMPLETE DESIGN,
AND PRODUCT INFORMATION,
CONTACT JENSEN PRECAST.