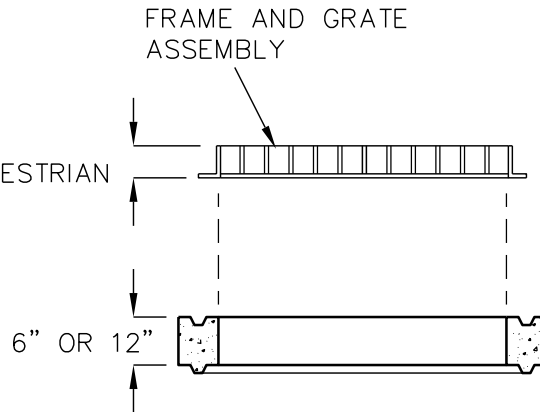
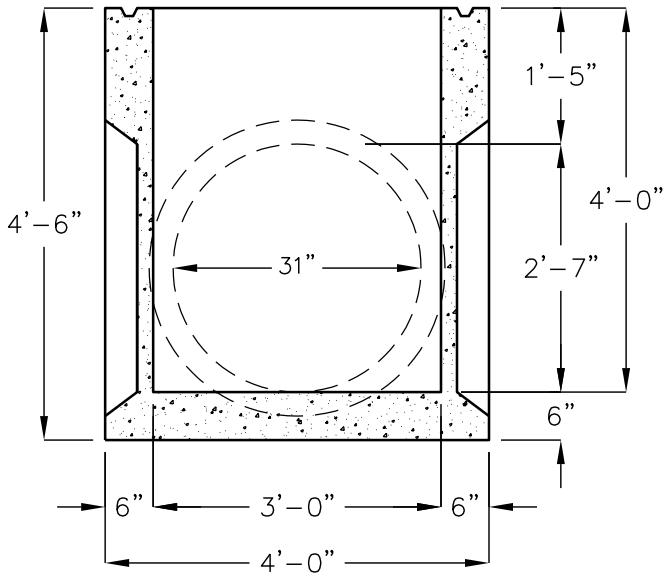


**TOP VIEW-BOX
WITH FRAME AND GRATE
REMOVED**

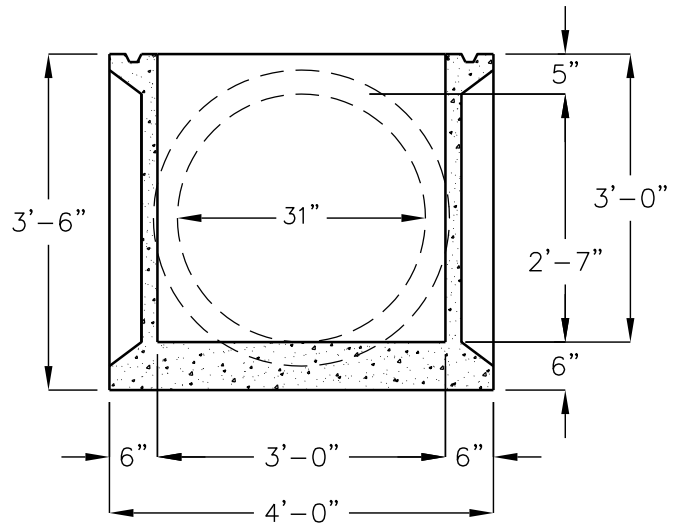
4" TRAFFIC
1-1/2" PEDESTRIAN



**EXTENSION WITH
LOOSE FRAME AND
GRATE SHOWN**



36"x36" DROP INLET - 48"



36"x36" DROP INLET - 36"

SECTION VIEWS