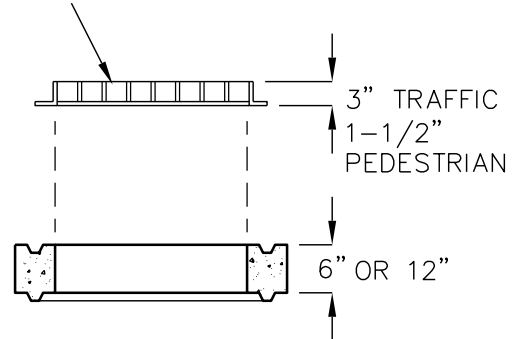
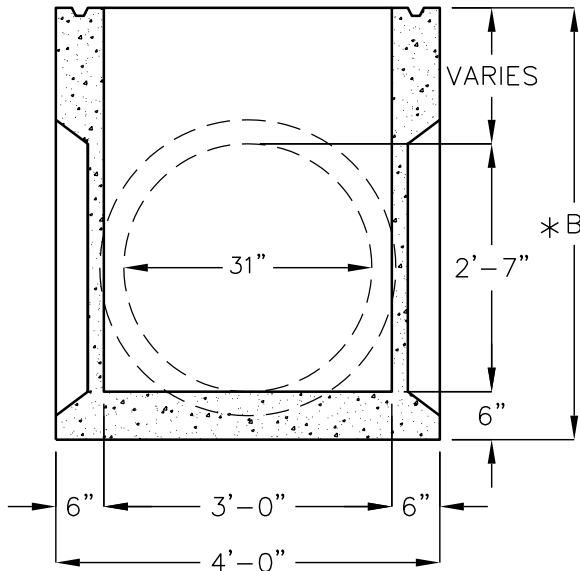


**TOP VIEW-BOX
WITH FRAME AND GRATE
REMOVED**

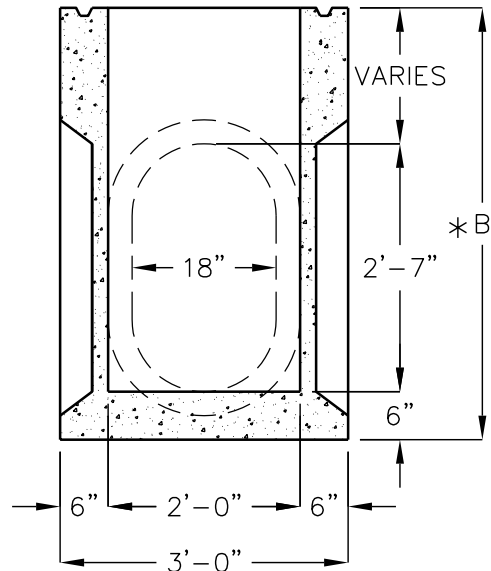
FRAME AND GRATE
ASSEMBLY



**EXTENSION WITH
LOOSE FRAME AND
GRATE SHOWN**



FRONT VIEW



SIDE VIEW

**SECTION
24"x36" DROP INLET**

*SEE DROP INLET
TABLE ON FRONT