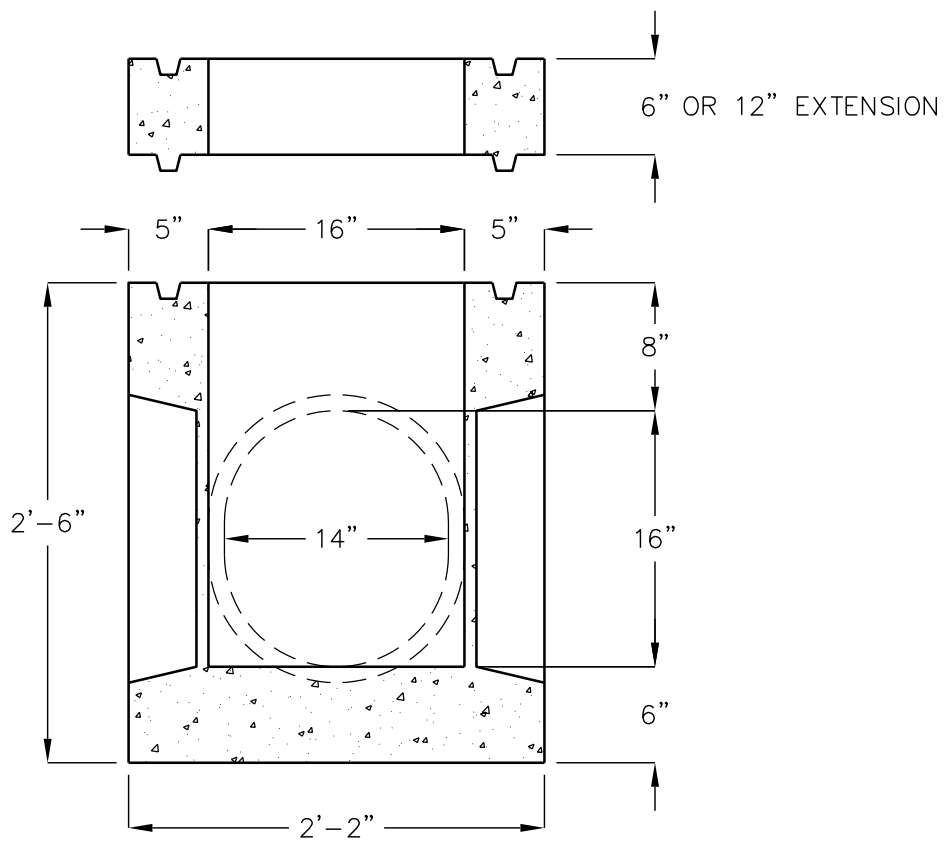


**1616H GALVANIZED  
FRAME AND GRATE**



**1616 D.I. BOX**