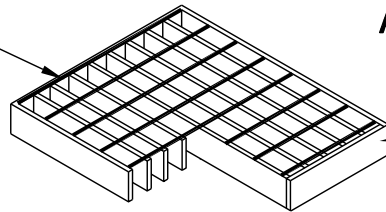


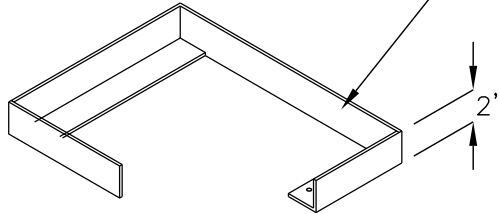
1212-HDI

12" LONG x 12" WIDE x 24" HIGH
DROP INLET WITH
ADJUSTABLE FRAME & GRATE

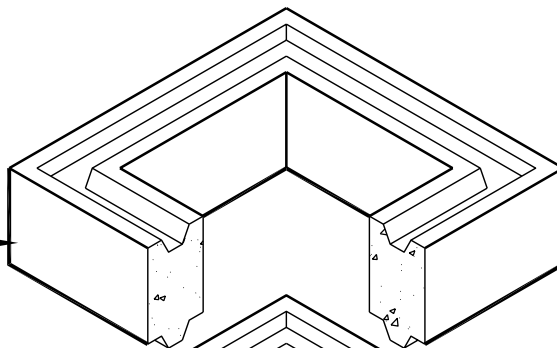
WEIGHT: 15 LBS.



1212H GALVANIZED
GRATE AND FRAME
H-20 TRAFFIC RATED

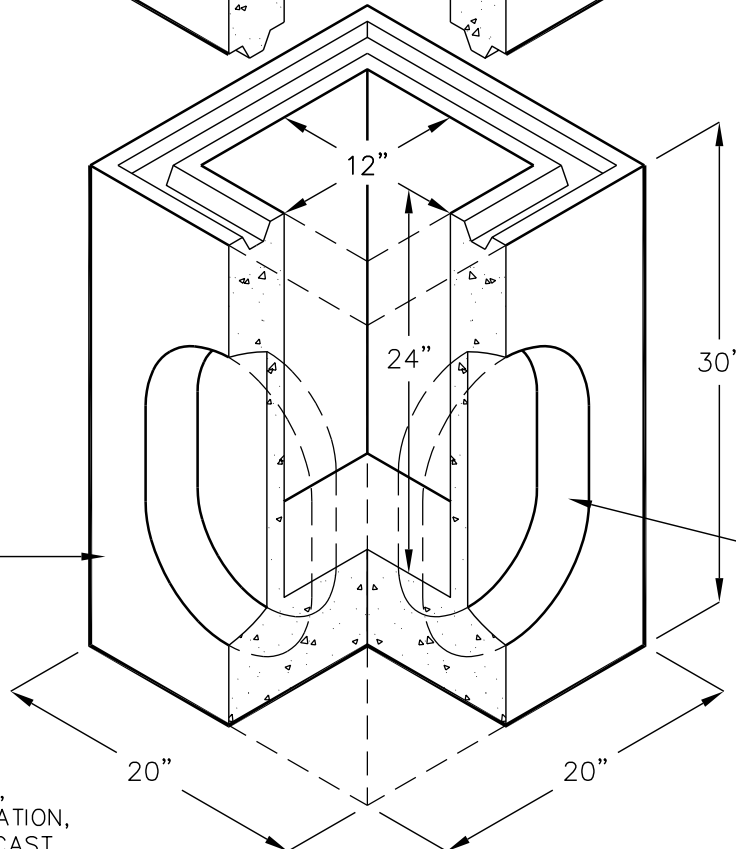


APPROX. WT.
132 LBS. (6") OR
263 LBS. (12")



OPTIONAL
6" OR 12"
RISER

APPROX. WEIGHT
OF BOX.: 602 LBS.



10" X 16" THIN
WALL KNOCKOUT.
SLUDGE OUT AS
REQUIRED.
(TYP. 4 PLACES)

BOX DESIGN LOAD:
H-20 TRAFFIC

FOR COMPLETE DESIGN,
AND PRODUCT INFORMATION,
CONTACT JENSEN PRECAST.