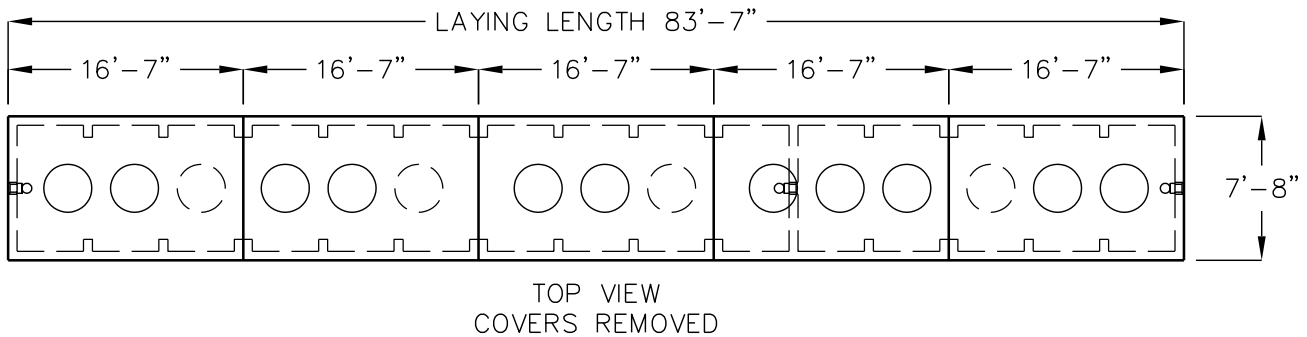
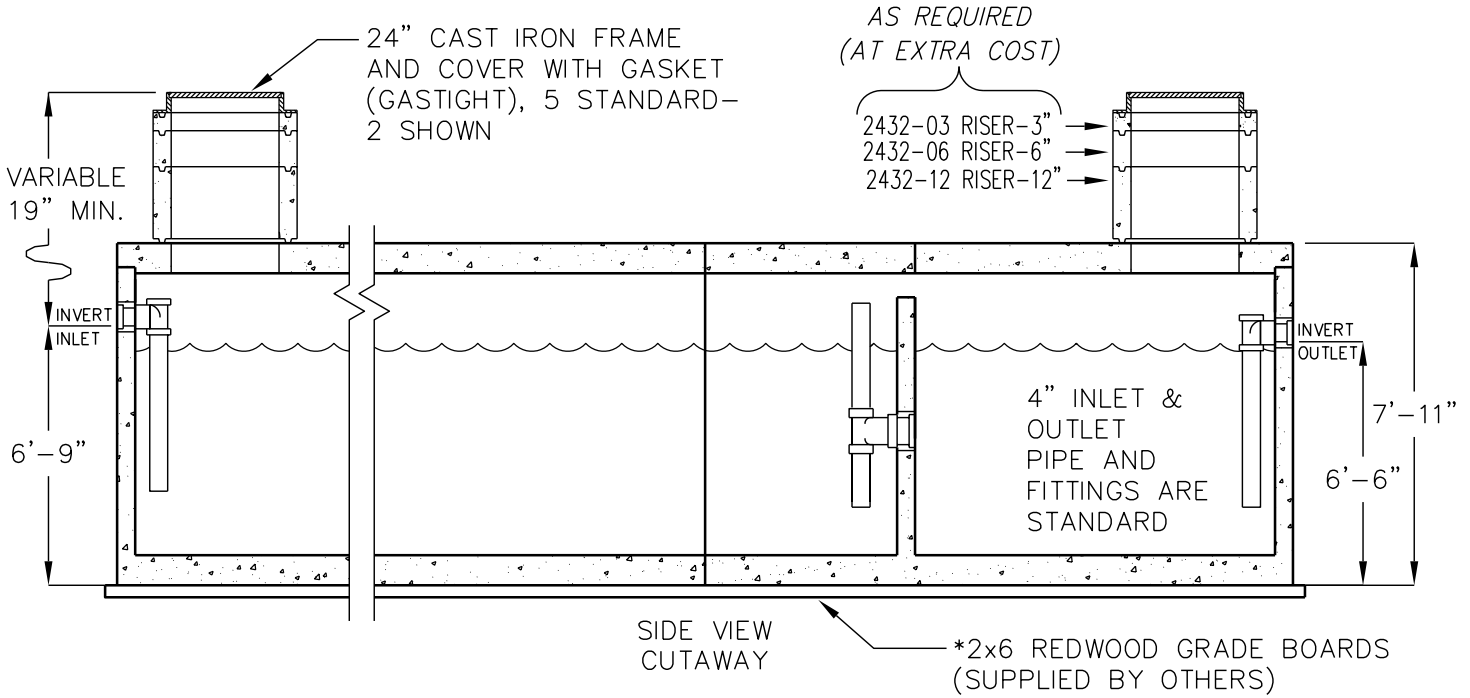


25,000 GALLON BATTERY GREASE INTERCEPTOR MODEL 5XJZ5000-G



○ = RECOMMENDED
RISER/CAST IRON
COVER LOCATIONS

○ = OPTIONAL
RISER/CAST IRON
COVER LOCATIONS

NOTE: SPACE BETWEEN
ACCESS COVERS DOES
NOT EXCEED 10'.

FOR INSTALLATION INSTRUCTIONS,
DESIGN AND PRODUCT INFORMATION,
CONTACT JENSEN PRECAST.

LIQUID CAPACITY: 25,000 GALLONS.
BOX DESIGN LOAD: H-20 TRAFFIC FROM
1' TO 4' OF SOIL COVER.