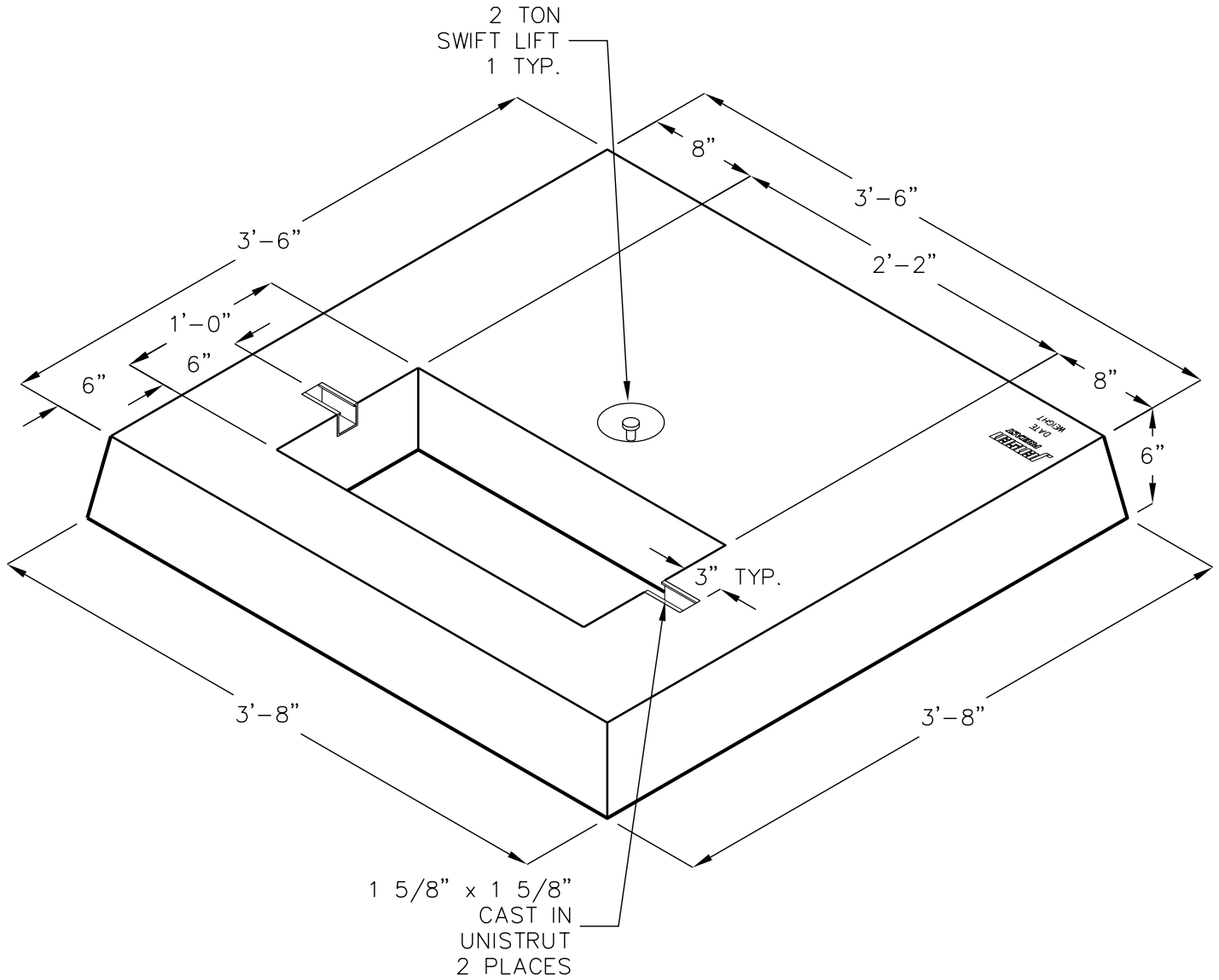


# 4242 TRANSFORMER PAD

ARIZONA PUBLIC SERVICE  
25-50 KVA

APPROX. WEIGHT: 800 LBS.



FOR COMPLETE DESIGN  
AND PRODUCT INFORMATION  
CONTACT JENSEN PRECAST.