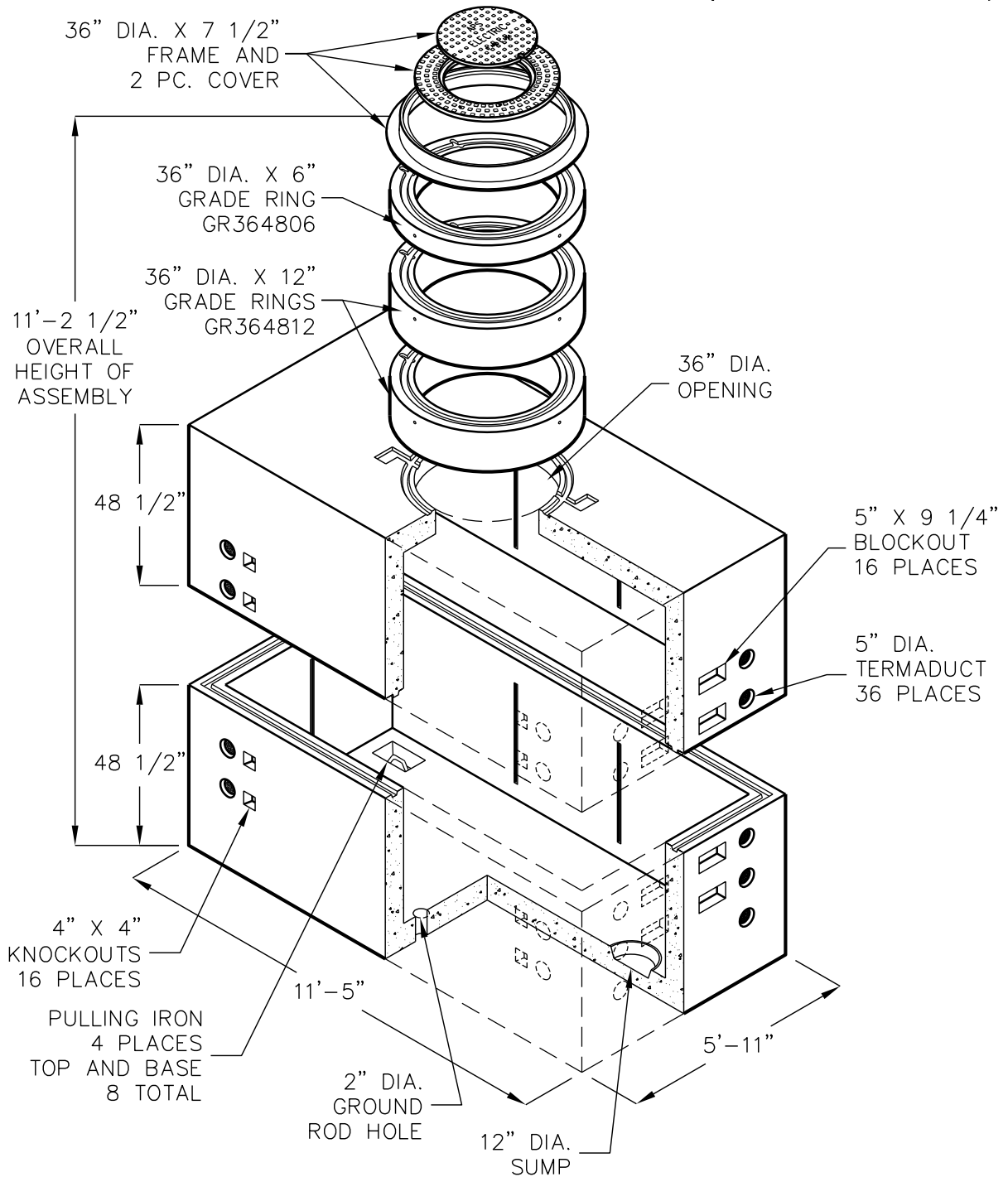


5106 MANHOLE

ARIZONA PUBLIC SERVICE
5'-0" X 10'-6" X 7'-0"
(INSIDE DIMENSIONS)



FOR COMPLETE DESIGN
AND PRODUCT INFORMATION
CONTACT JENSEN PRECAST.