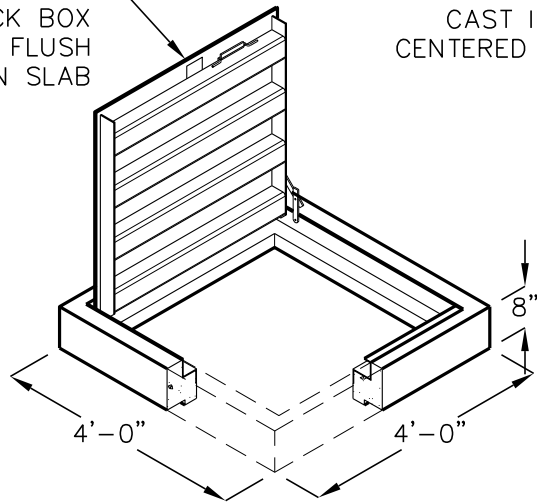


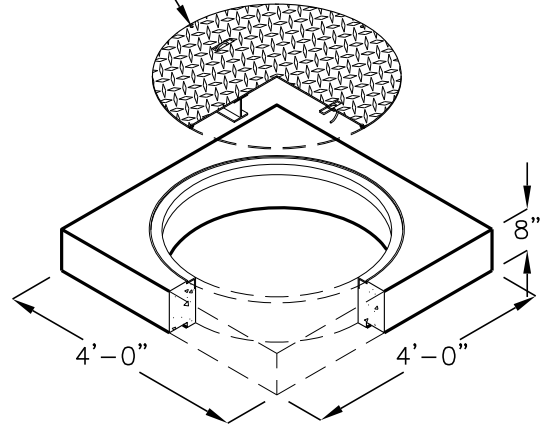
NO. 9 PULLBOX COVER OPTIONS

36"x36" GALVANIZED
SPRING ASSISTED COVER
WITH 180° LAYBACK
AND RECESSED
PADLOCK BOX
CAST IN FLUSH
CENTERED IN SLAB



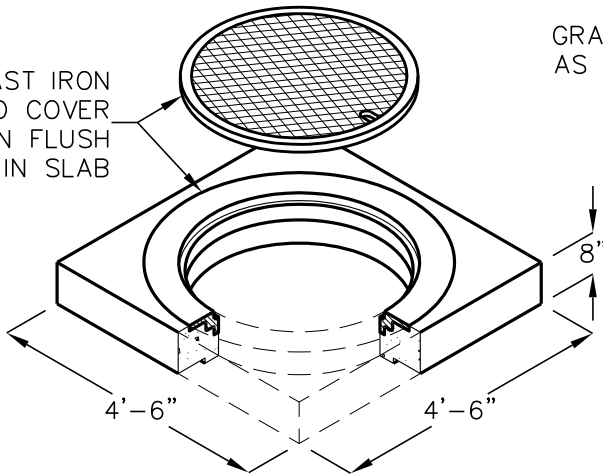
INCIDENTAL H-20 TRAFFIC OPTION
FOR USE IN OFF STREET LOCATIONS

300 PSF
DIAMOND PLATE
Ø36" GALVANIZED
STEEL COVER
CAST IN FLUSH
CENTERED IN SLAB



PEDESTRIAN LOADING OPTION

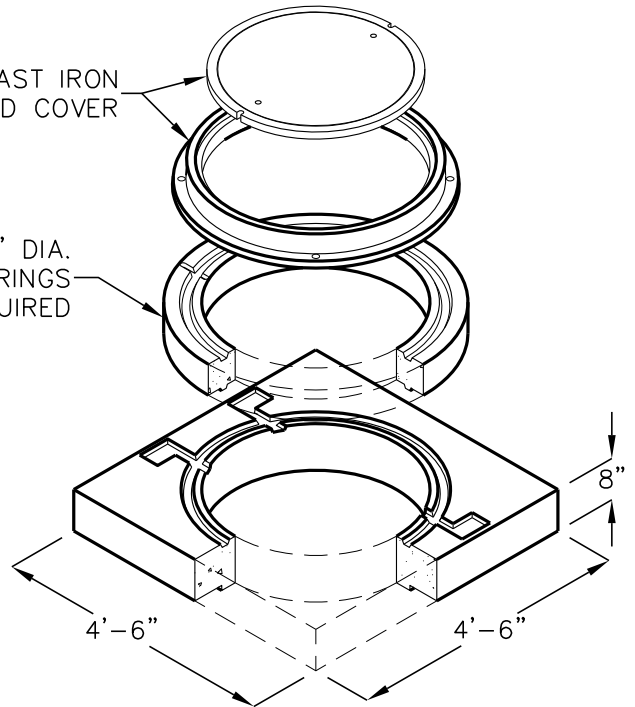
36" DIA. CAST IRON
RING AND COVER
CAST IN FLUSH
CENTERED IN SLAB



H-20 TRAFFIC

CAST IRON
RING AND COVER

36" DIA.
GRADE RINGS
AS REQUIRED



H-20 TRAFFIC

COVERS MARKED PER AGENCY SPECIFICATIONS.

FOR COMPLETE DESIGN AND PRODUCT INFORMATION CONTACT JENSEN PRECAST.

Jensen Precast reserves the right to make changes to product design and/or dimensions without notice. Please contact Jensen Precast whenever necessary for confirmation or advice on product design.

JENSEN
PRECAST