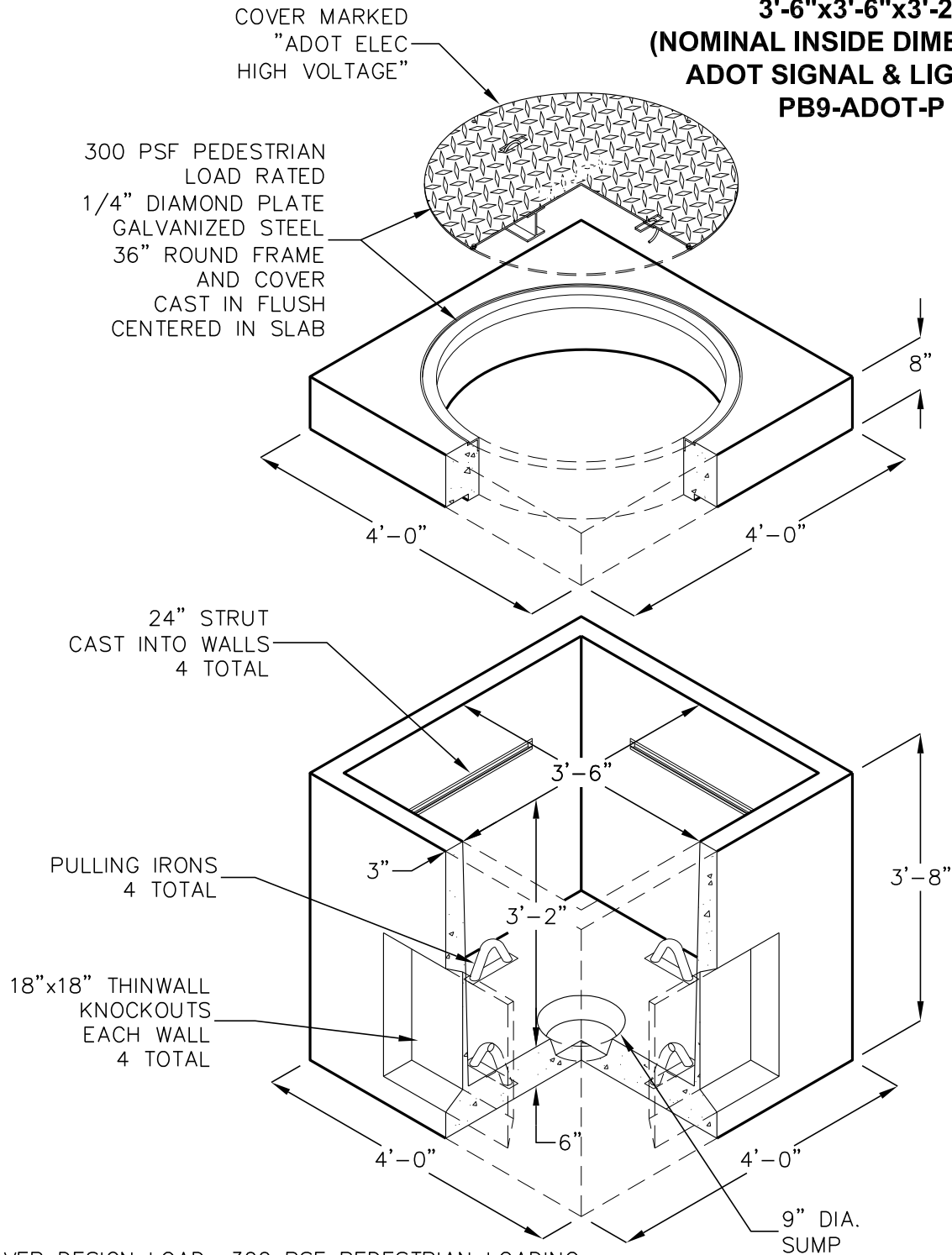


NO 9 PULLBOX

3'-6"x3'-6"x3'-2"
(NOMINAL INSIDE DIMENSIONS)
ADOT SIGNAL & LIGHTING
PB9-ADOT-P



COVER DESIGN LOAD: 300 PSF PEDESTRIAN LOADING.

BOX DESIGN LOAD: H-20 TRAFFIC

WATER TABLE ASSUMED TO BE BELOW BOTTOM OF STRUCTURE.

FOR COMPLETE DESIGN AND PRODUCT INFORMATION CONTACT JENSEN PRECAST.

Jensen Precast reserves the right to make changes to product design and/or dimensions without notice. Please contact Jensen Precast whenever necessary for confirmation or advice on product design.

