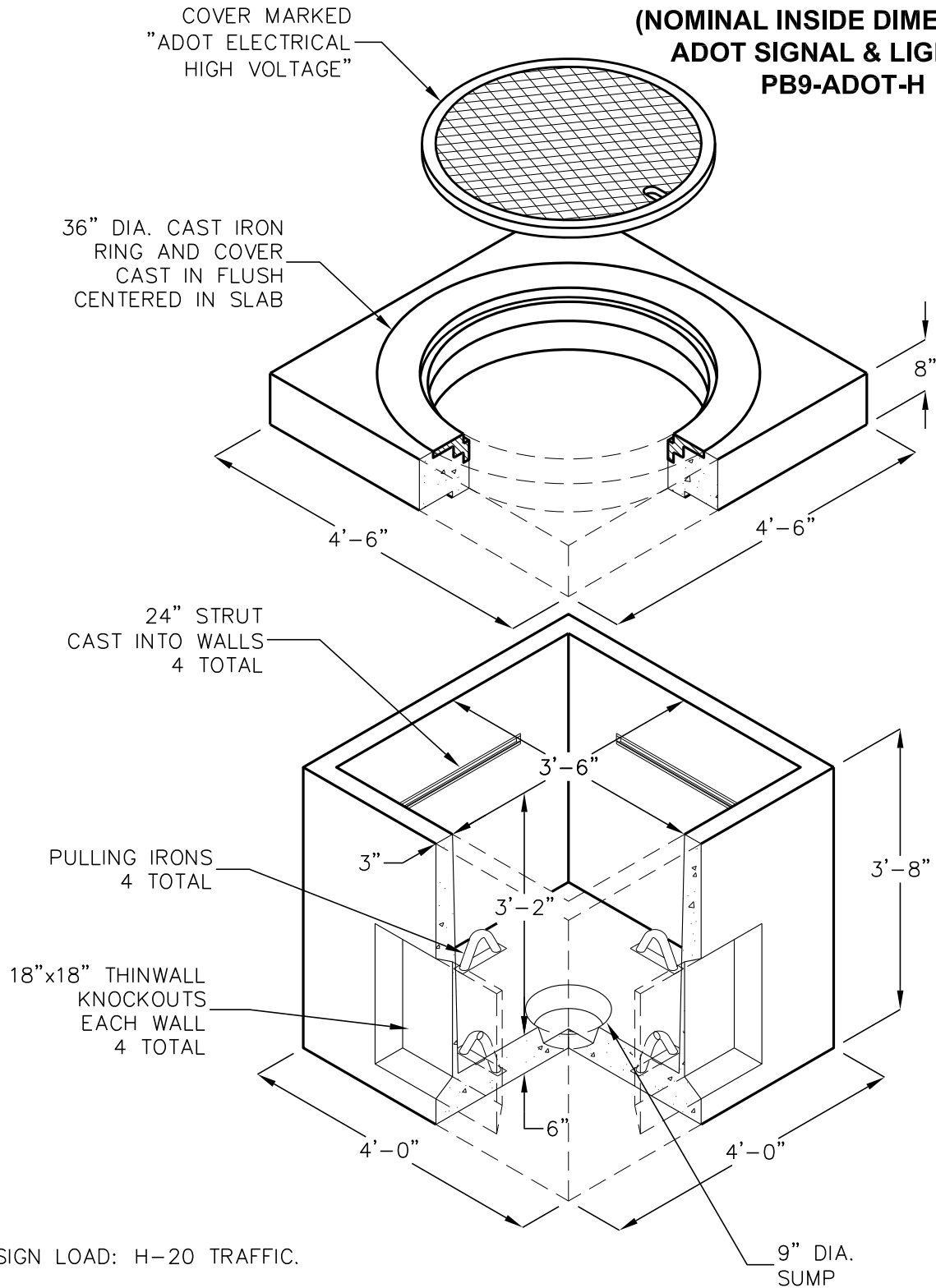


NO 9 PULLBOX

3'-6"x3'-6"x3'-2"
 (NOMINAL INSIDE DIMENSIONS)
 ADOT SIGNAL & LIGHTING
 PB9-ADOT-H



DESIGN LOAD: H-20 TRAFFIC.

WATER TABLE ASSUMED TO BE BELOW STRUCTURE.

FOR COMPLETE DESIGN AND PRODUCT INFORMATION CONTACT JENSEN PRECAST.

Jensen Precast reserves the right to make changes to product design and/or dimensions without notice. Please contact Jensen Precast whenever necessary for confirmation or advice on product design.

