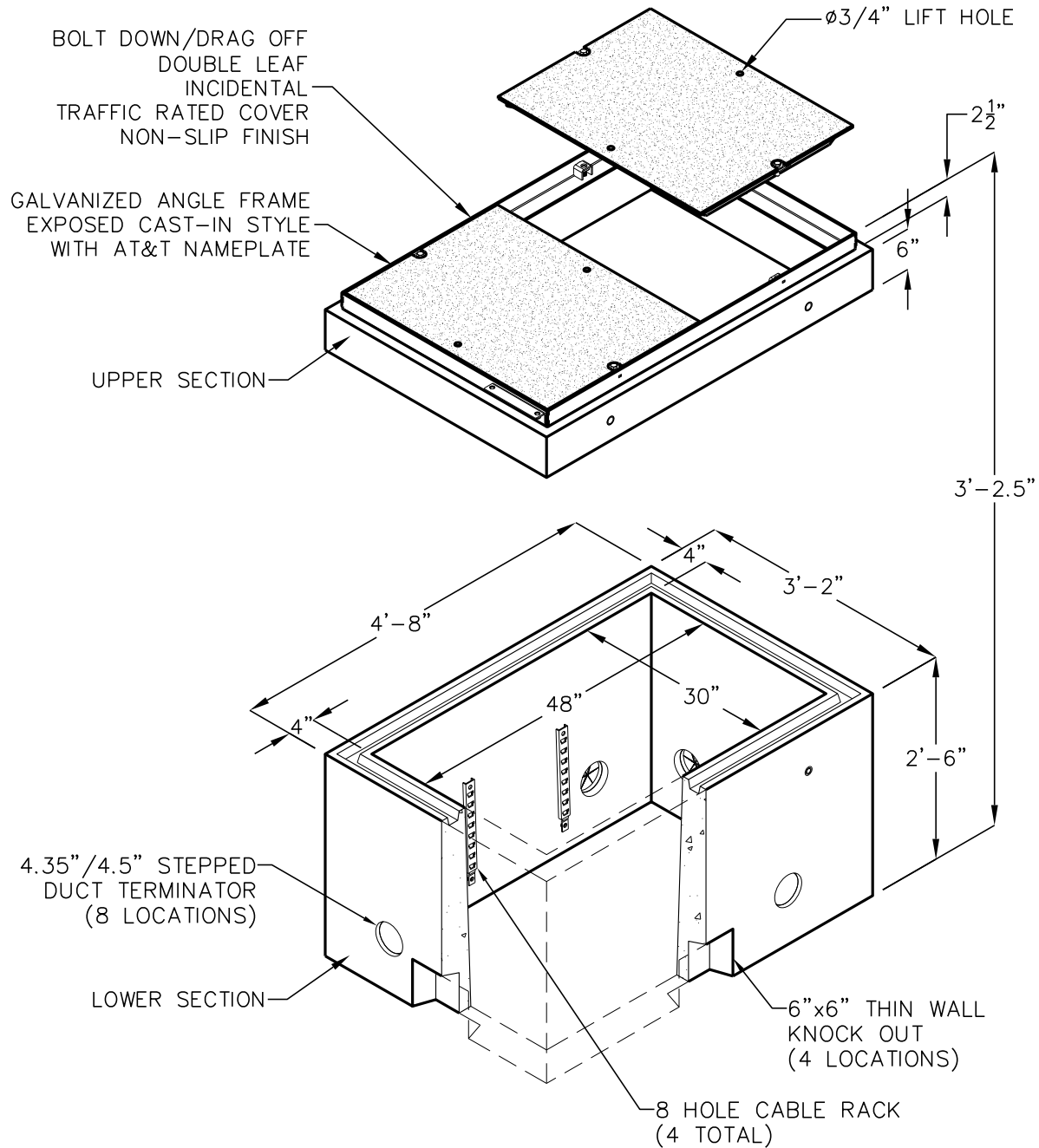




at&t Northern California
Nevada

2'-6"X4'-0"X3'-0" AT&T SPLICE BOX

TRAFFIC RATED DRAG OFF COVER
AT&T OIN: OTA



MATERIAL LIST	
DESCRIPTION	WEIGHT (LBS)
2'-6"X4'-0"X3'-0" LOWER SECTION - AT&T	642
UPPER SECTION	490
COVERS	

JENSEN
PRECAST EST. 1968

Jensen Precast reserves the right to make changes to product design and/or dimensions without notice. Please contact Jensen Precast whenever necessary for confirmation or advice on product design.