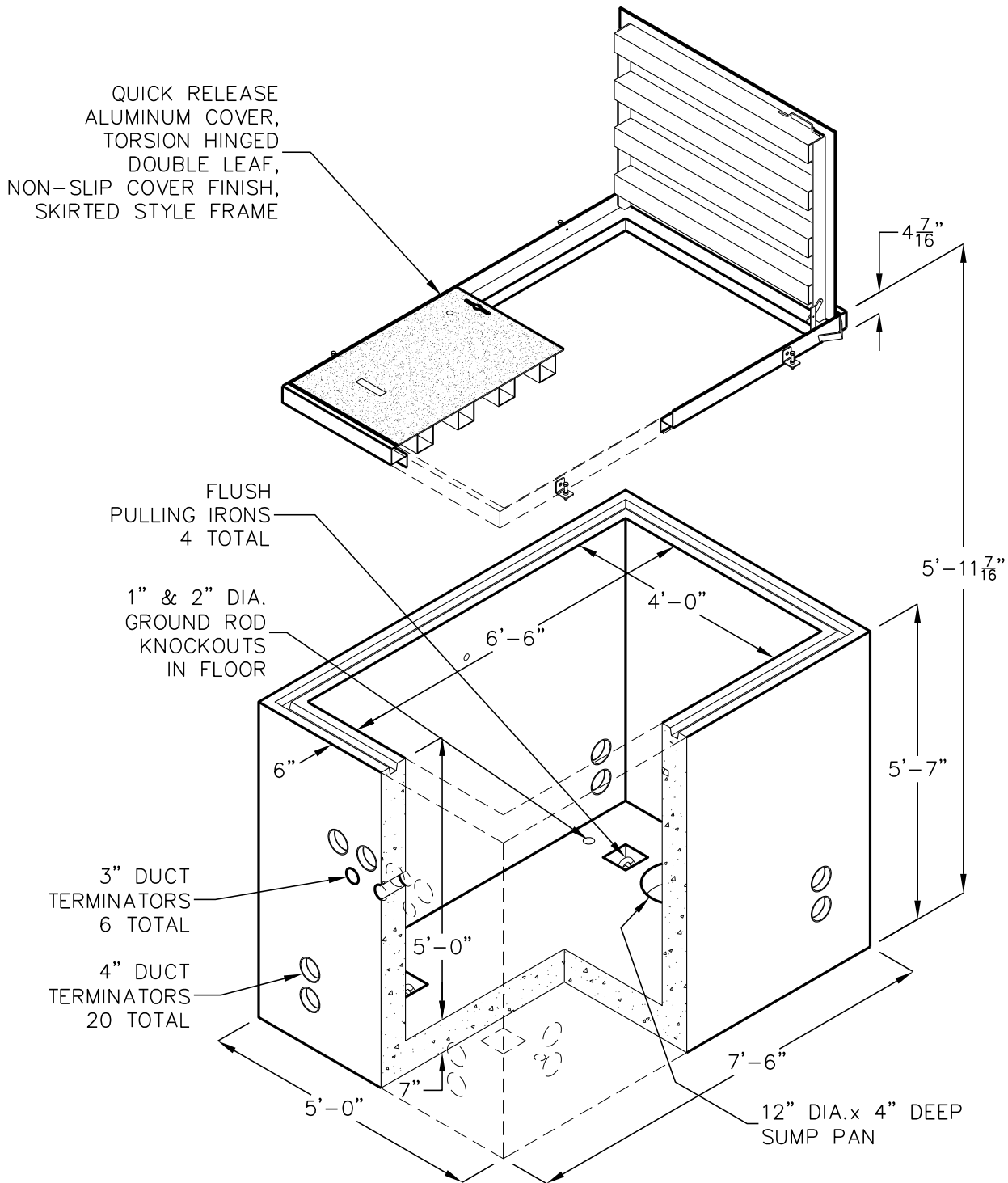




4'-0" x 6'-6" x 5'-0" (#6) PRIMARY ENCLOSURE EQUIPMENT/SPLICE

PG&E CODE: 041495



MATERIAL LIST (K466IPG)

PG&E CODE	DESCRIPTION	WEIGHT (LBS)
041567	ENCLOSURE 4'x6'-6"x5' PG&E	11,760
041093	COVER, 4'x6'-6" SPLICE IVT PG&E	397



Jensen Precast reserves the right to make changes to product design and/or dimensions without notice. Please contact Jensen Precast whenever necessary for confirmation or advice on product design.