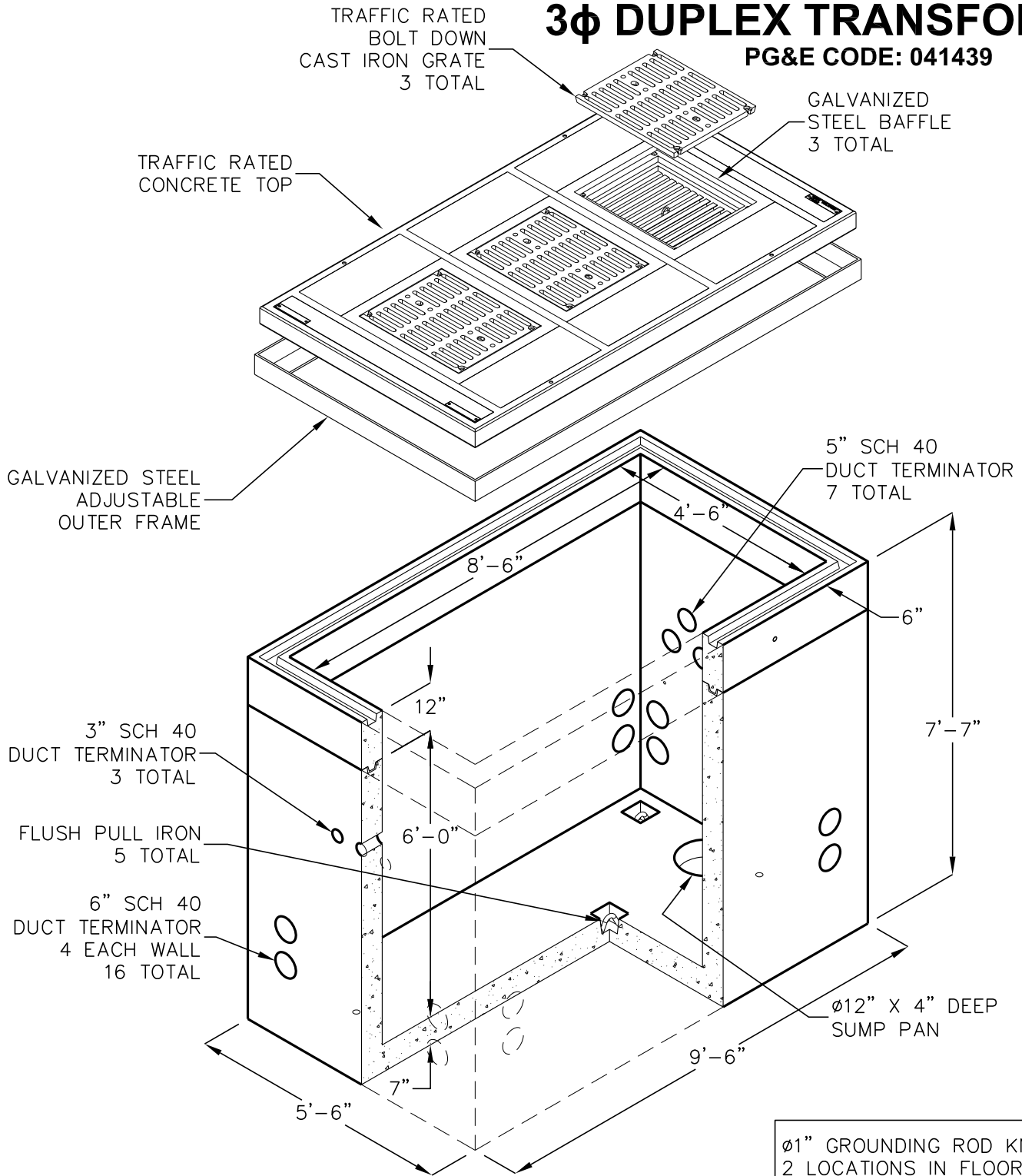




# 4'-6"x8'-6"x7'-0" (#7) PRIMARY ENCLOSURE 3 $\phi$ DUPLEX TRANSFORMER PG&E CODE: 041439



MATERIAL LIST		
PG&E CODE	DESCRIPTION	WEIGHT (LBS)
043376	4686-6 VAULT	16,958
043415	4686-R12 RISER	2,140
041442	4686 FT TRANS COVER- PGE	3,840
040341	4686 OUTER FRAME	450

F Jensen Precast reserves the right to make changes to product design and/or dimensions without notice. Please contact Jensen Precast whenever necessary for confirmation or advice on product design.