

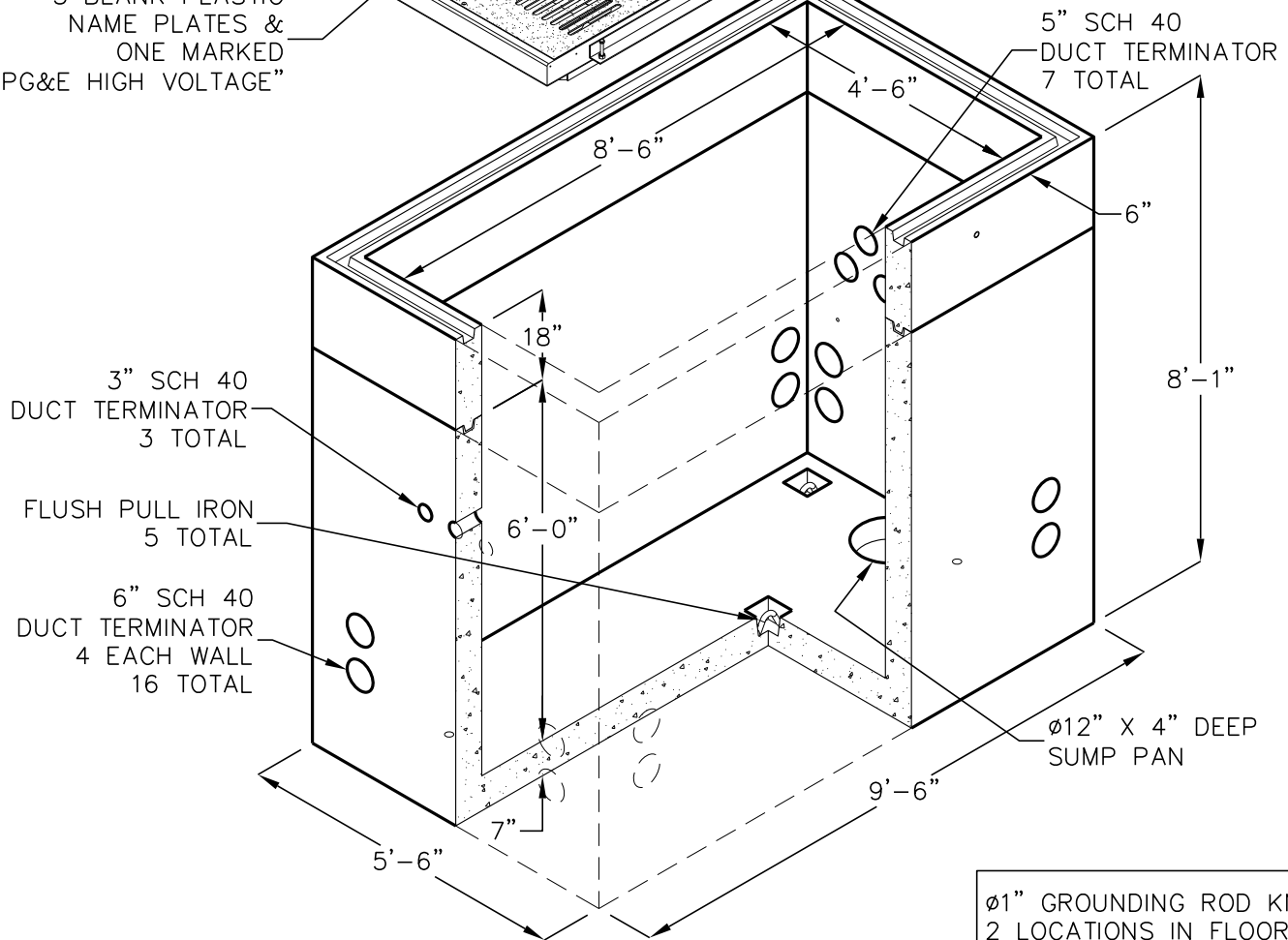


# 4'-6"x8'-6"x7'-0" (#7) PRIMARY ENCLOSURE UCD TRANSFORMER

PG&E CODE: 041662

QUICK-RELEASE ALUMINUM COVER  
VENTED TRANSFORMER ACCESS COVER  
TORSION HINGED DOUBLE LEAF  
NON-SLIP COVER FINISH  
SKIRTED STYLE FRAME

3 BLANK PLASTIC  
NAME PLATES &  
ONE MARKED  
"PG&E HIGH VOLTAGE"



MATERIAL LIST		
PG&E CODE	DESCRIPTION	WEIGHT (LBS)
043376	4686-6 VAULT	16,958
043377	4686-R18 RISER	3,210
031830	4686 ALUM QR TRANS COVER- PGE	1,610

F Jensen Precast reserves the right to make changes to product design and/or dimensions without notice.  
Please contact Jensen Precast whenever necessary for confirmation or advice on product design.