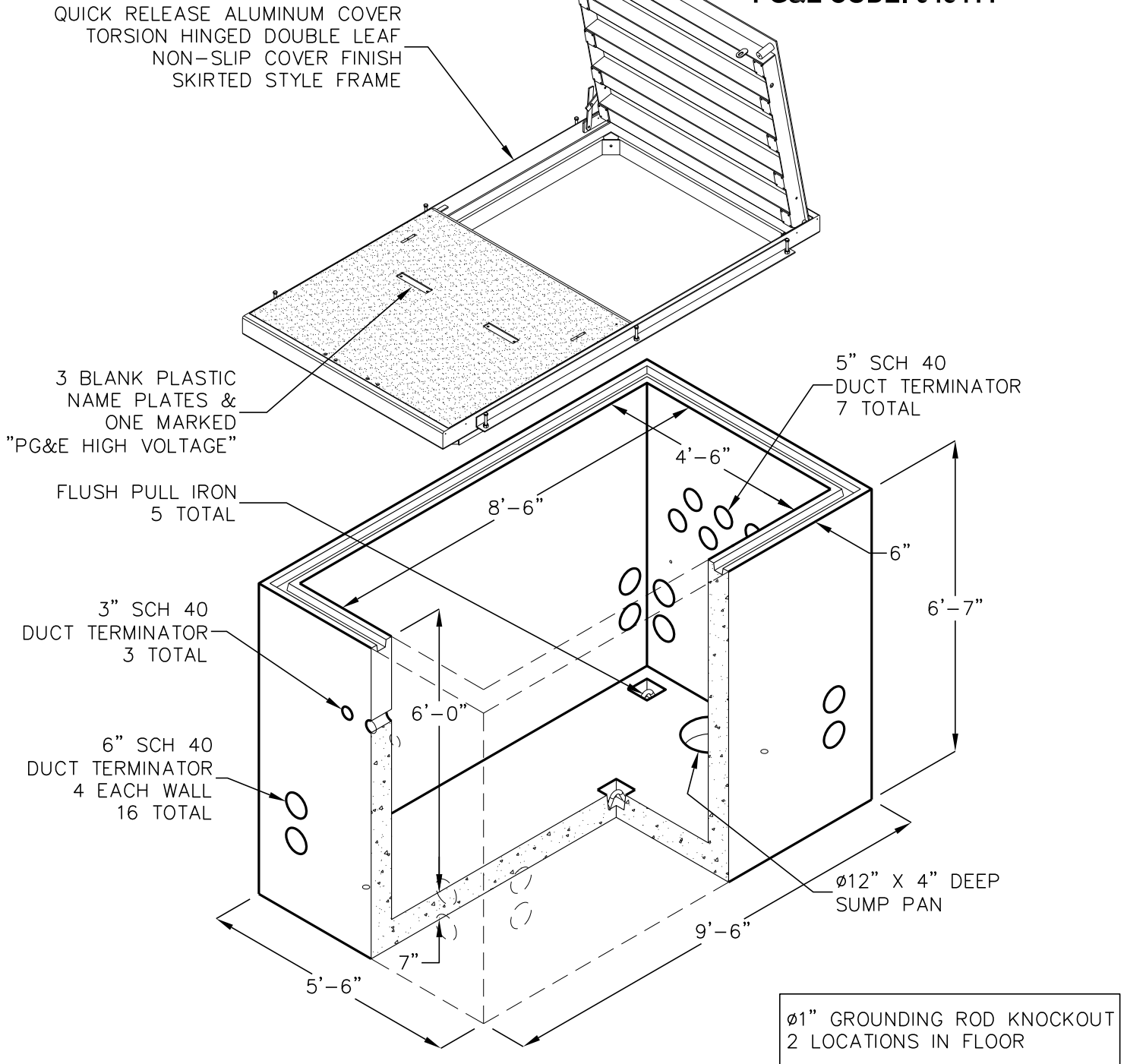




4'-6" x 8'-6" x 6'-0" (#7) PRIMARY ENCLOSURE EQUIPMENT/SPLICE 600 AMP SPLICE

PG&E CODE: 043411



MATERIAL LIST

PG&E CODE	DESCRIPTION	WEIGHT (LBS)
043376	4686-6 VAULT	16,958
040642	4686 ALUM QR EQUIP COVER- PGE	1,420

F Jensen Precast reserves the right to make changes to product design and/or dimensions without notice. Please contact Jensen Precast whenever necessary for confirmation or advice on product design.

5/7/2019
4-6X8-6X6_54102IVT_EQUIP_PGE.DWG
©2019

