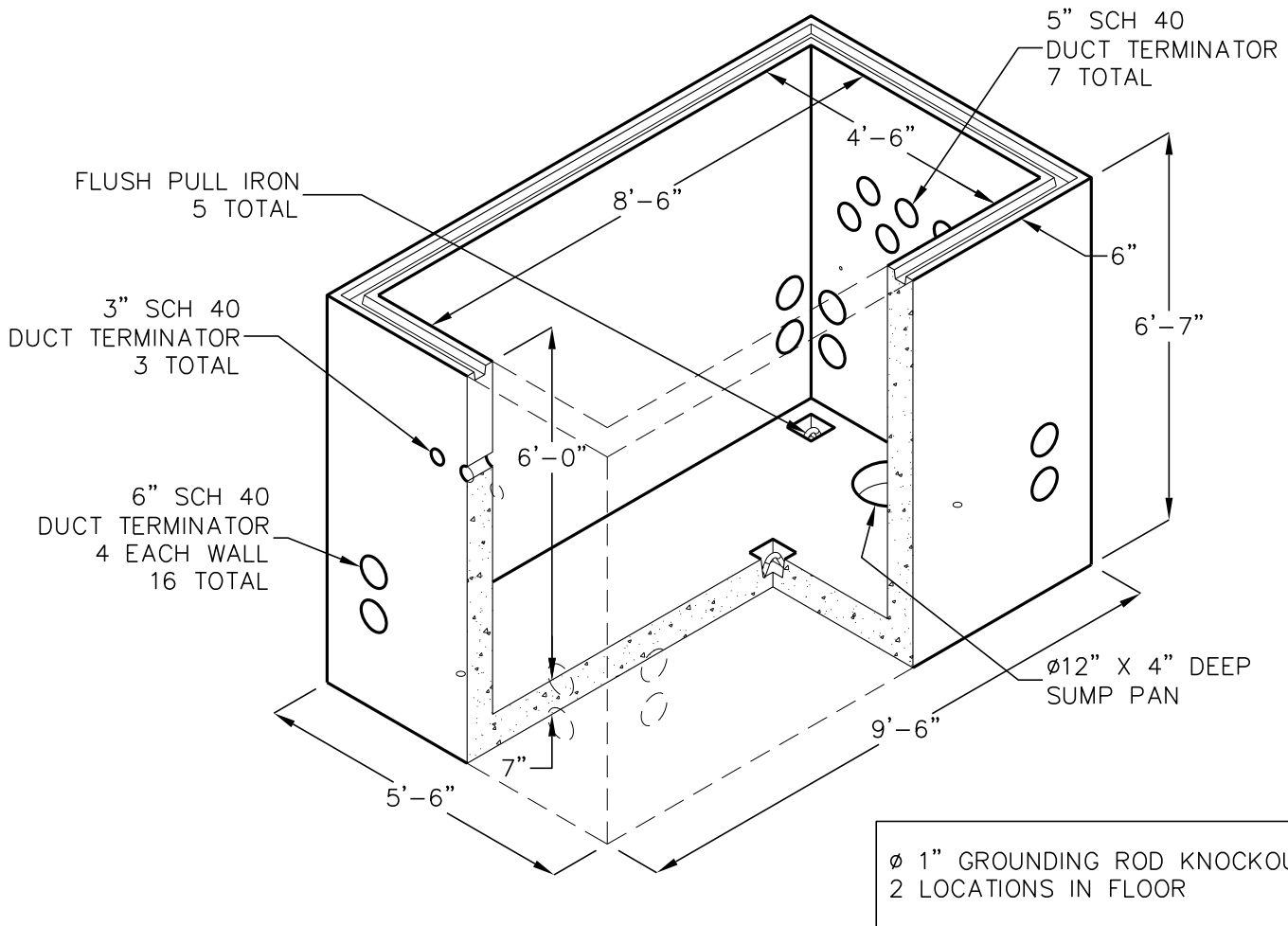




4'-6"x8'-6"x6'-0" (#7) PRIMARY ENCLOSURE BASE SECTION

PG&E CODE: 043376



MATERIAL LIST		
PG&E CODE	DESCRIPTION	WEIGHT (LBS)
043376	4686-6 VAULT	15,838

F Jensen Precast reserves the right to make changes to product design and/or dimensions without notice. Please contact Jensen Precast whenever necessary for confirmation or advice on product design.