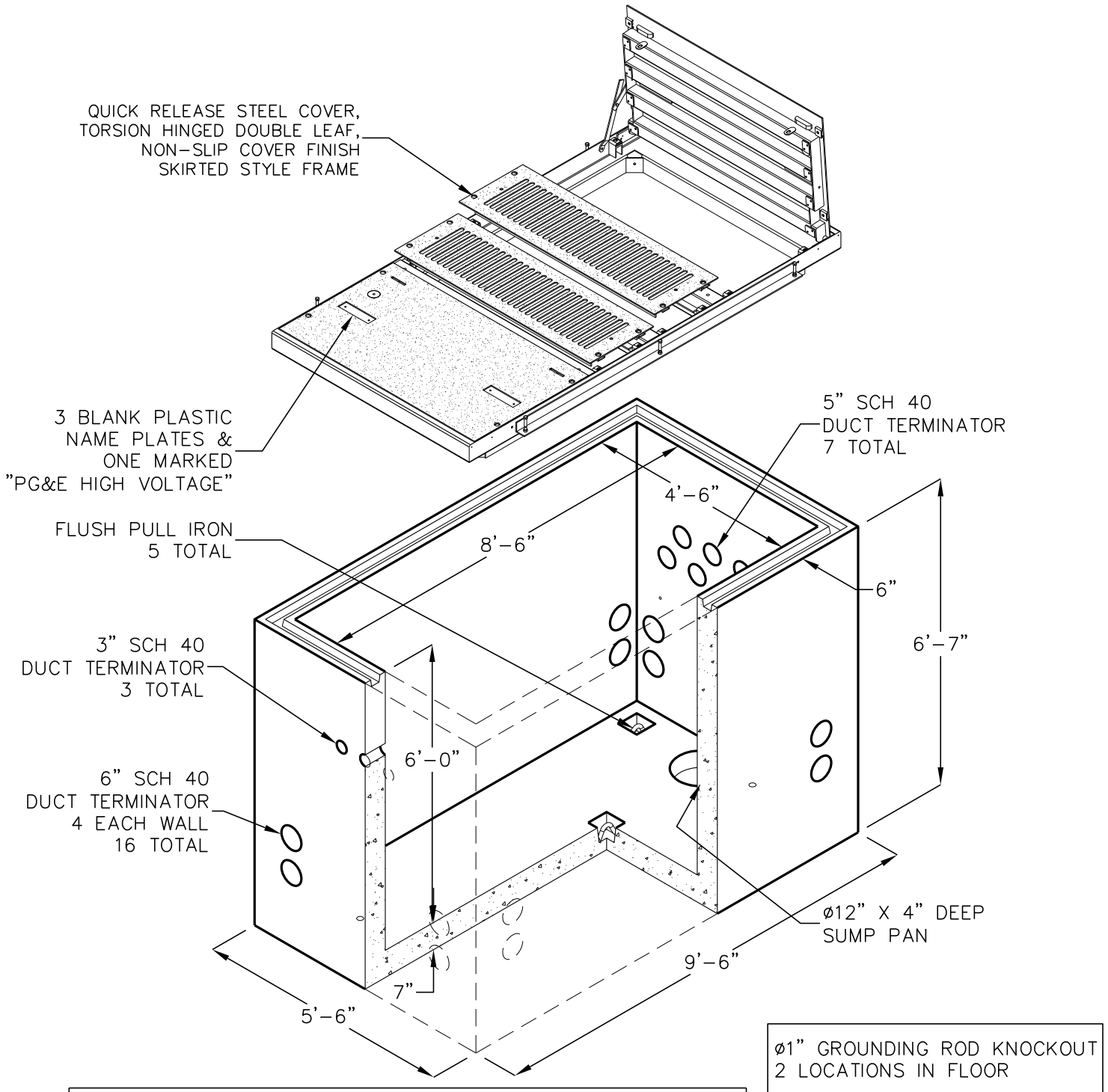




4'-6"x8'-6"x6'-0" (#7) PRIMARY ENCLOSURE 3 ϕ DUPLEX TRANSFORMER

PG&E CODE: 041649



Ø1" GROUNDING ROD KNOCKOUT
2 LOCATIONS IN FLOOR

MATERIAL LIST		
PG&E CODE	DESCRIPTION	WEIGHT (LBS)
043376	4686-6 VAULT	16,958
041055	4686 STEEL QR TRANS COVER- PGE	1700

A Jensen Precast reserves the right to make changes to product design and/or dimensions without notice. Please contact Jensen Precast whenever necessary for confirmation or advice on product design.

