

35 PULLBOX

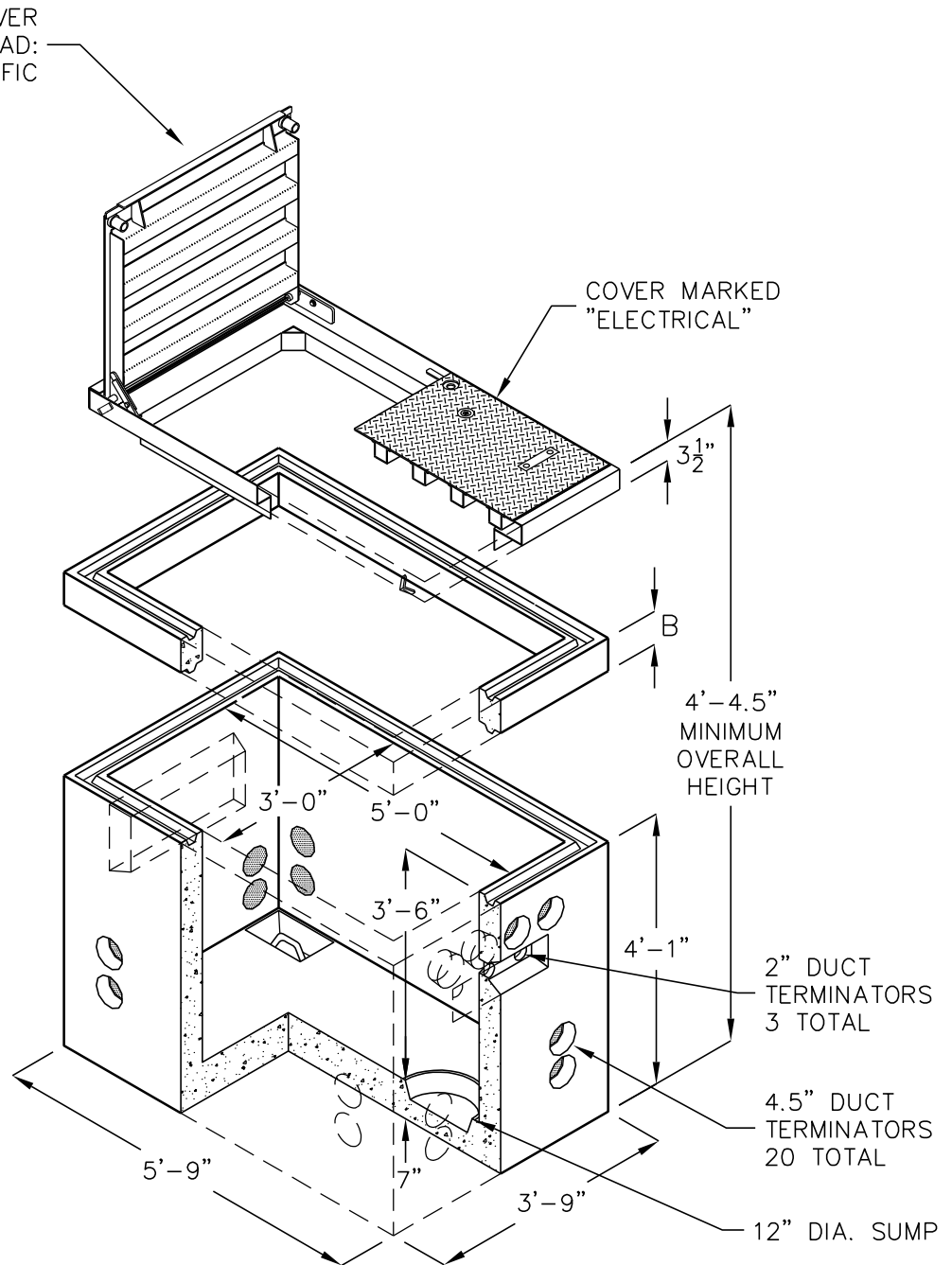
3'-0"x5'-0"x3'-6"
(NOMINAL INSIDE DIMENSIONS)

CITY OF GRIDLEY

QUICK RELEASE COVER
DESIGN LOAD:
INCIDENTAL TRAFFIC

OPTIONAL RISERS (EXTENSIONS)		
MODEL NO.	B	WEIGHT
35-R4	4"	270 LBS.
35-R6	6"	420 LBS.
35-R8	8"	540 LBS.
35-R12	12"	835 LBS.

BOX
APPROXIMATE
WEIGHT
5,380 LBS.



DUCT TERMINATOR SIZE AND LOCATION, KNOCKOUTS, PULLING IRONS, ETC. PER CURRENT SPECIFICATIONS.

DESIGN LOAD: INCIDENTAL H-20 TRAFFIC SUITABLE FOR OFF STREET LOCATIONS AWAY FROM HIGH DENSITY TRAFFIC.

FOR COMPLETE DESIGN AND PRODUCT INFORMATION CONTACT JENSEN PRECAST.

Jensen Precast reserves the right to make changes to product design and/or dimensions without notice. Please contact Jensen Precast whenever necessary for confirmation or advice on product design.

