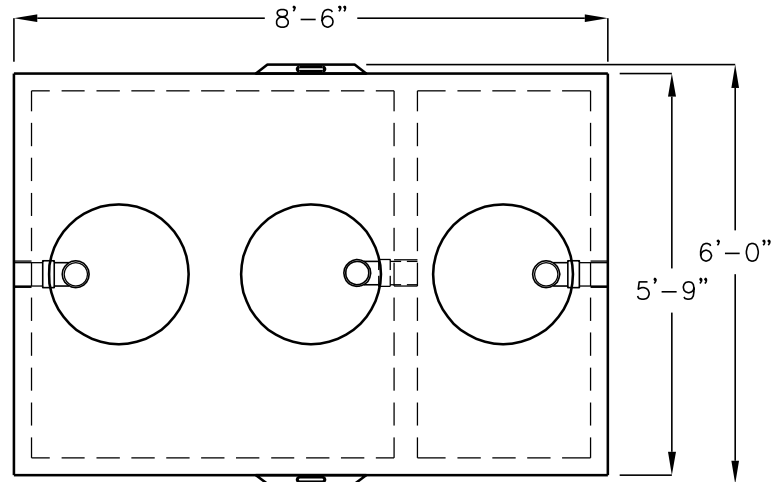


# 1200 GALLON GREASE INTERCEPTOR

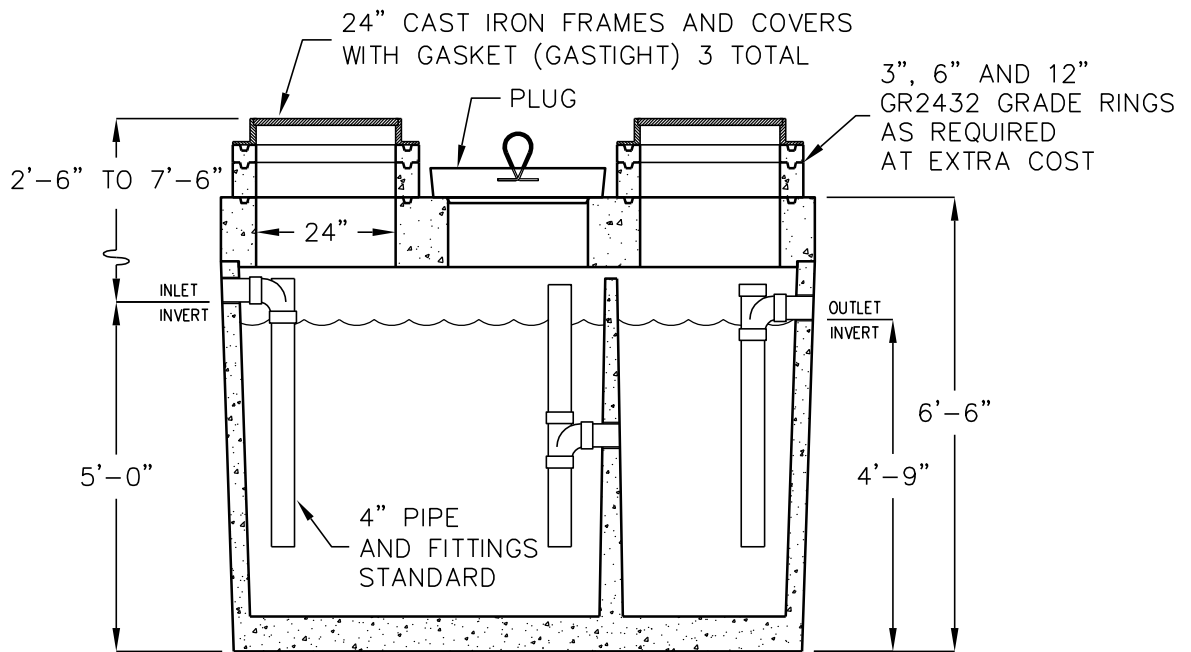
MODEL JP1200EPE-G

LISTED BY UPC®

NORTHERN CALIFORNIA



**TOP VIEW**  
(COVERS & RINGS REMOVED)



**SIDE SECTION VIEW**

OPERATING CAPACITY: 1,200 GALLONS.

DESIGN LOAD: H-20 TRAFFIC WITH DRY SOIL CONDITIONS  
(WATER LEVEL BELOW TANK) AND 1'-6" EARTH COVER.

SUITABLE SUB-BASE BEDDED WITH GRANULAR MATERIAL SHALL BE PREPARED TO HANDLE ANTICIPATED LOADS.

FOR COMPLETE DESIGN AND PRODUCT INFORMATION  
CONTACT JENSEN PRECAST.

MINIMUM EXCAVATION  
7'-0" x 9'-6"  
x REQ'D DEPTH