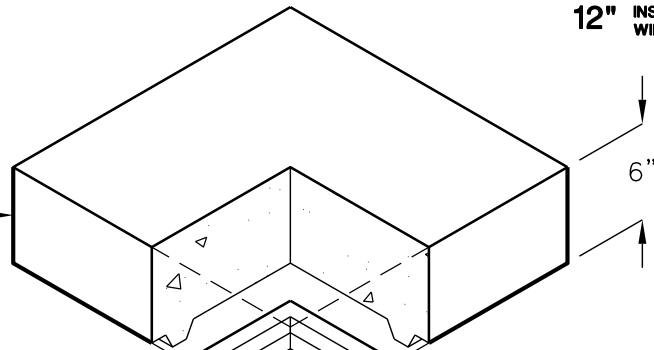


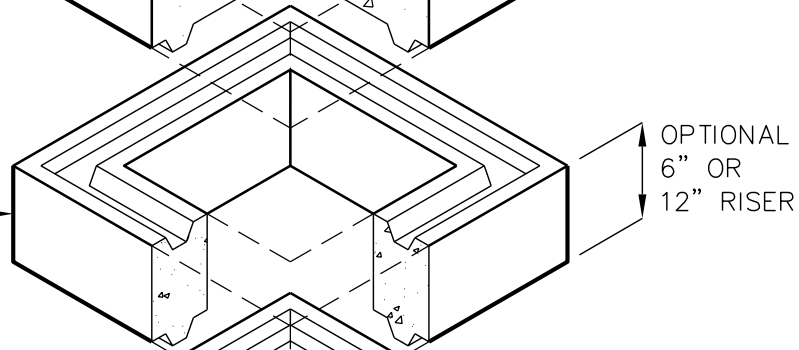
MODEL 1212-U

12" INSIDE WIDTH x 12" INSIDE LENGTH

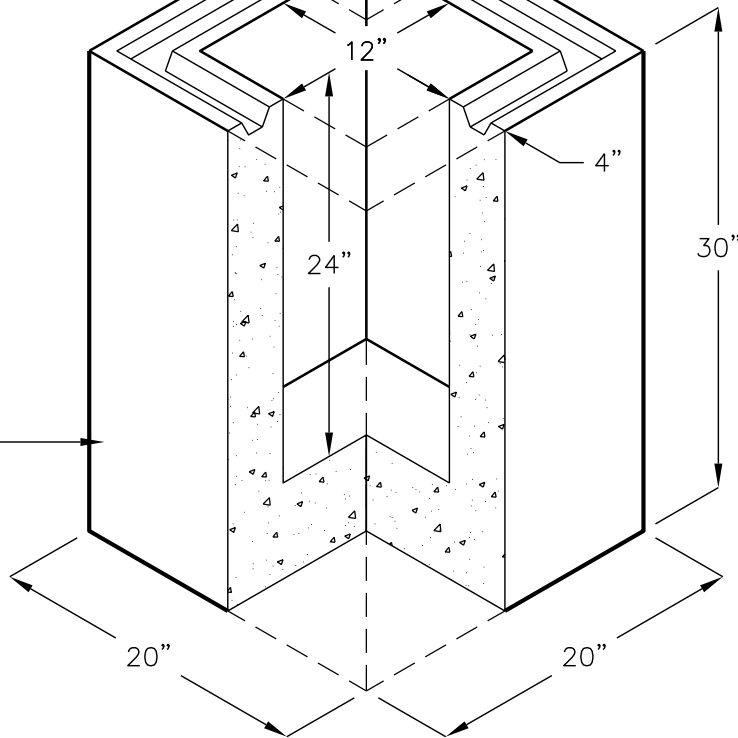
APPROX. WT.
208 LBS.



APPROX. WT.
132 LBS. (6") OR
263 LBS. (12")



APPROX. WEIGHT
OF BOX.: 742 LBS.



BOX DESIGN LOAD:
H-20 TRAFFIC

FOR COMPLETE DESIGN,
AND PRODUCT INFORMATION,
CONTACT JENSEN PRECAST.

INSIDE VOLUME	
2 CU. FT.	15 GAL.

SEE ACCESSORIES SECTION
FOR ACCESS OPENINGS AND
HARDWARE APPLICATIONS.

