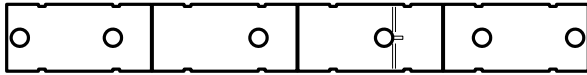
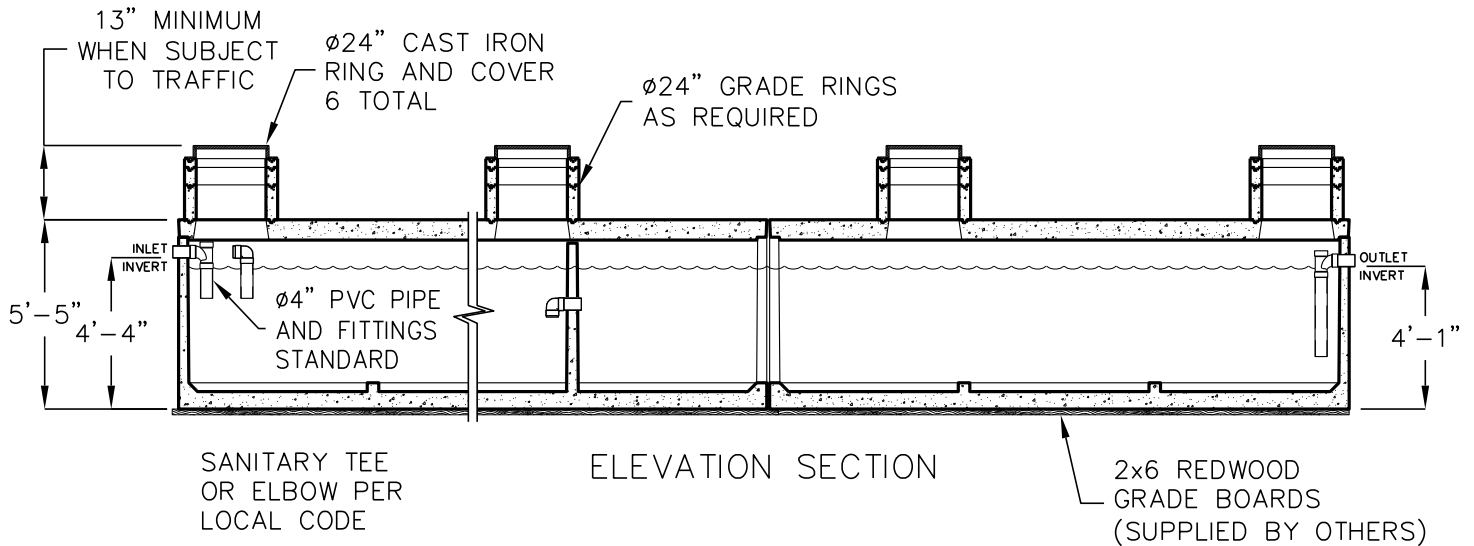
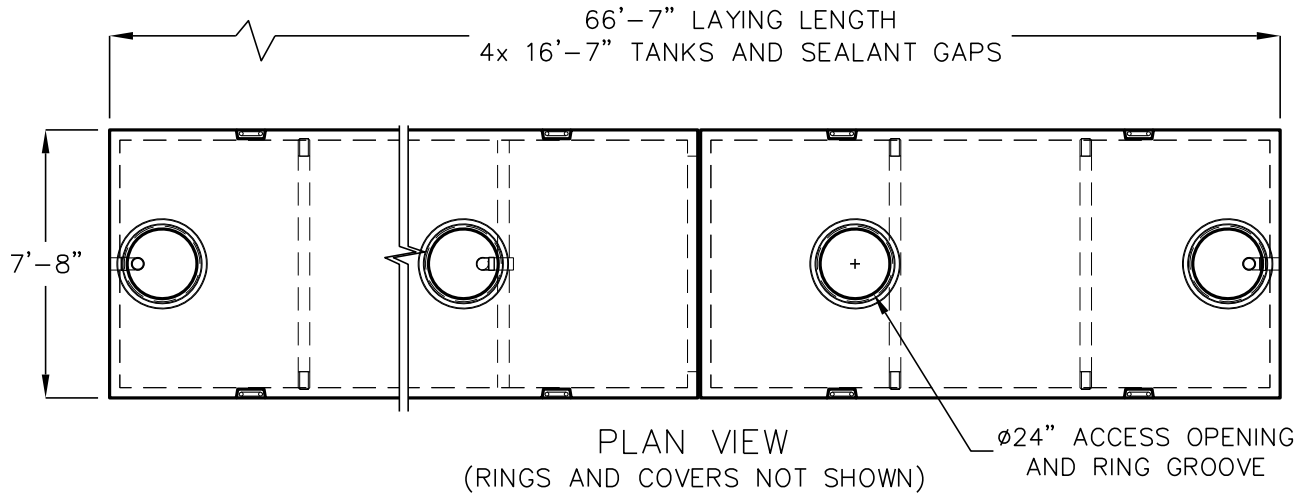


12,000 GALLON BATTERY SAND-OIL INTERCEPTOR

MODEL 4XJP3000-SO



(ACCESS REFERENCE)



OPERATING CAPACITY: 12,000 GALLONS

DESIGN LOAD: H-20 TRAFFIC WITH DRY SOIL CONDITIONS (WATER LEVEL BELOW TANK)
AND 13 INCHES TO 5 FEET EARTH COVER.

BEDDING NOTE: SUITABLE SUB-BASE BEDDED WITH GRANULAR MATERIAL SHALL BE
PREPARED TO HANDLE ANTICIPATED LOADS.

FOR COMPLETE DESIGN AND PRODUCT INFORMATION CONTACT JENSEN PRECAST.

Jensen Precast reserves the right to make changes to product design and/or dimensions without notice.
Please contact Jensen Precast whenever necessary for confirmation or advice on product design.

8/28/2019
12000-SO_4XJP3000.DWG
©2019

JENSEN
PRECAST  EST. 1968