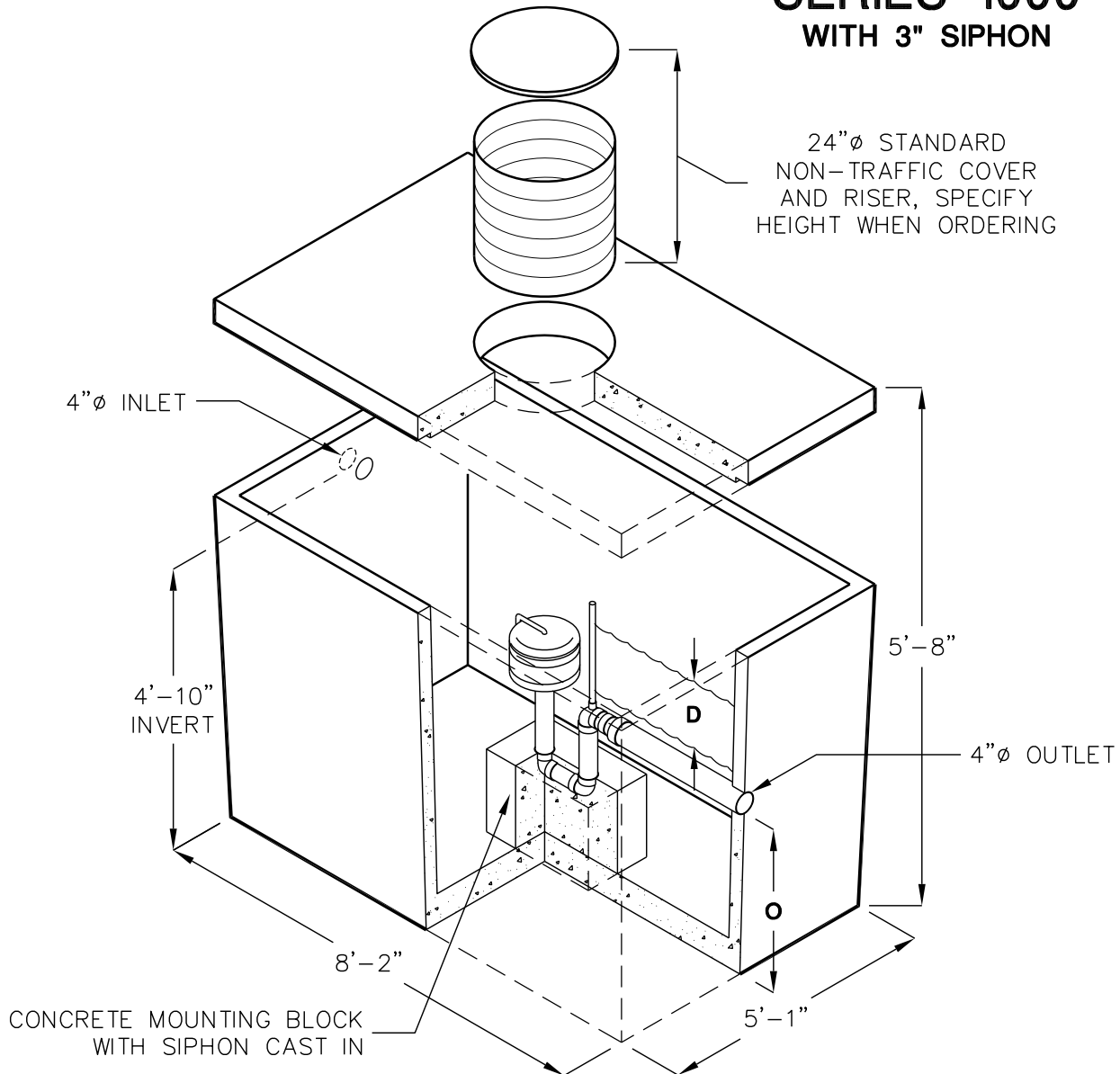


DOSING SIPHON TANK SERIES 1000 WITH 3" SIPHON



Dosing Siphon Tank Model No.	Average Discharge Flow (GPM)	Discharge Volume (Gallons)	Outlet Invert "O"	Draw Down "D"
DS1000-310	68	207	43	10
DS1000-312	70	248	40	12
DS1000-314	72	289	39	14
DS1000-316	74	330	36	16
DS1000-318	76	372	34	18
DS1000-320	80	413	32	20
DS1000-324	90	496	26	24

DESIGN LOAD: NON-TRAFFIC, 4' MAX. SOIL COVER, H-20 TRAFFIC OPTION AVAILABLE.

FOR INFORMATION ON FILTER SCREENS AND DOSE COUNTERS SEE SIPHON ACCESSORIES PAGES.

FOR COMPLETE DESIGN AND PRODUCT INFORMATION CONTACT JENSEN PRECAST.