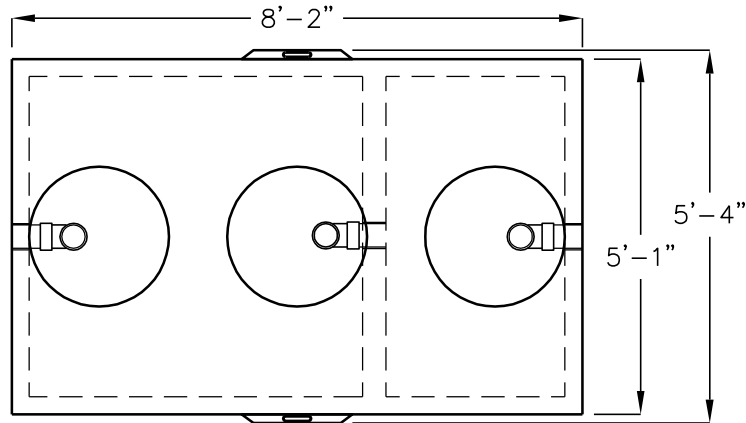


1000 GALLON GREASE INTERCEPTOR

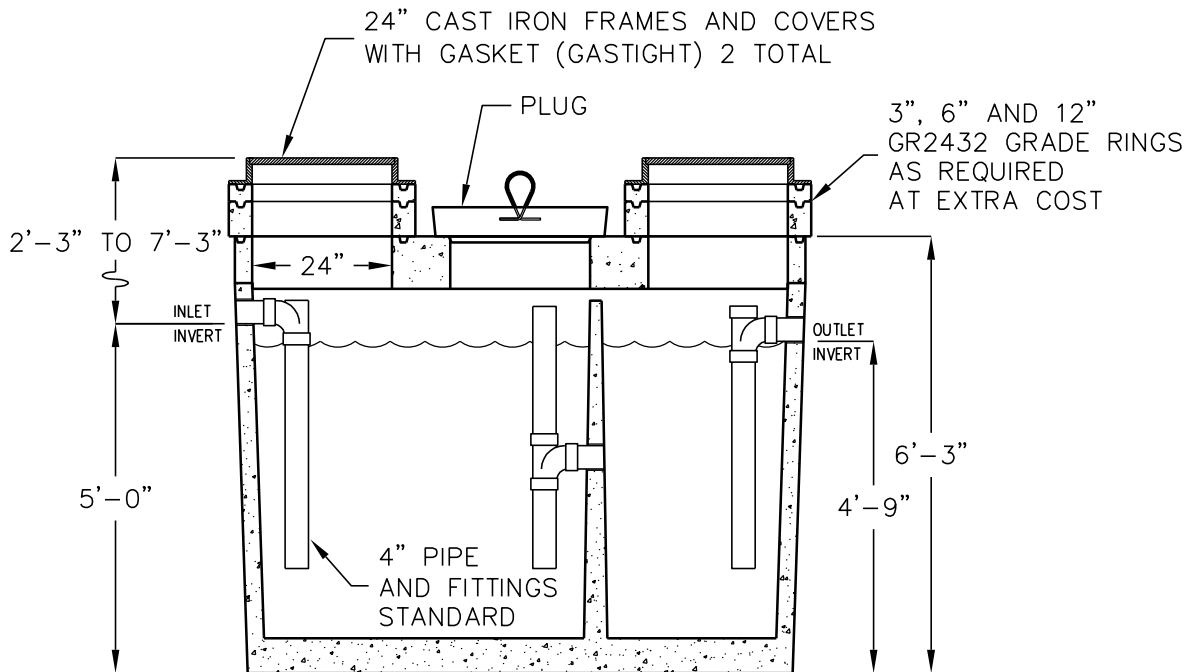
MODEL JP1000EPE-G

LISTED BY UPC®

NORTHERN CALIFORNIA



TOP VIEW
(COVERS & RINGS REMOVED)



SIDE SECTION VIEW

OPERATING CAPACITY: 1,000 GALLONS.

DESIGN LOAD: H-20 TRAFFIC WITH DRY SOIL CONDITIONS
(WATER LEVEL BELOW TANK) AND 1'-6" EARTH COVER.

SUITABLE SUB-BASE BEDDED WITH GRANULAR MATERIAL SHALL BE
PREPARED TO HANDLE ANTICIPATED LOADS.

FOR COMPLETE DESIGN AND PRODUCT INFORMATION
CONTACT JENSEN PRECAST.

MINIMUM EXCAVATION 6'-4" x 9'-2" x REQ'D DEPTH
--

9/19/07
JP1000G_EPE_NOCAL_B.dwg
© 2007 Jensen Precast

Jensen Precast reserves the right to make changes to product design
and/or dimensions without notice. Please contact Jensen Precast
whenever necessary for confirmation or advice on product design.

JENSEN
PRECAST