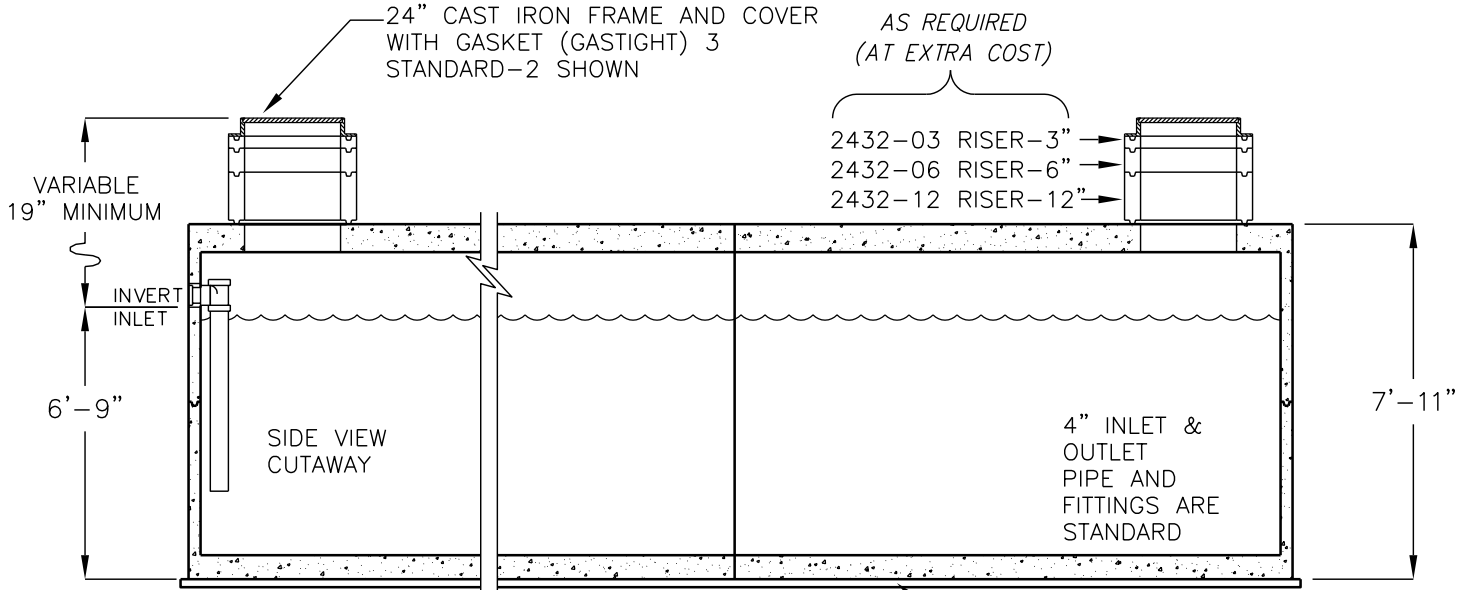


10,000 GALLON BATTERY HOLDING TANK

MODEL 2XHP5000

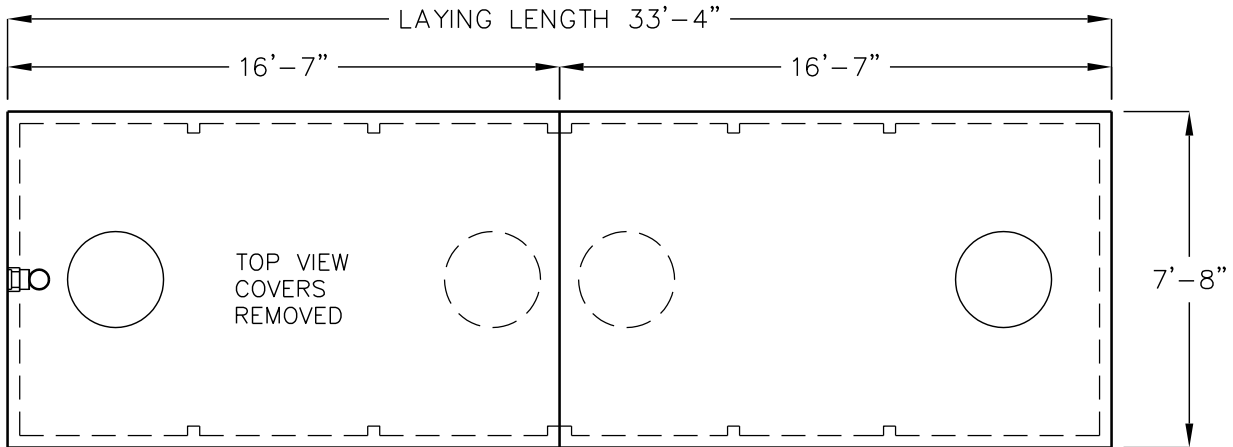


LIQUID CAPACITY: 10,000 GALLONS

BOX DESIGN LOAD: H-20 TRAFFIC FROM 1' TO 4' OF COVER FOR COMPLETE DESIGN AND PRODUCT INFORMATION, CONTACT JENSEN PRECAST.

*2x6 REDWOOD GRADE BOARDS (SUPPLIED BY OTHERS)

*NOTE: THE PRECAST CONCRETE UNITS SHALL BE PLACED ON LEVEL UNDISTURBED SOIL, OR APPROVED COMPACTED FILL. TWO 2x6 REDWOOD GRADE BOARDS SHALL BE PLACED BELOW THE TANK SIDE WALLS ALONG THE LONG DIMENSION.



ASSEMBLY SEQUENCE
SIDE VIEW

INLET	1 TOP	2 TOP	OUTLET
	1 BASE	2 BASE	

○ = RECOMMENDED RISER/CAST IRON COVER LOCATIONS

○ = OPTIONAL RISER/CAST IRON COVER LOCATIONS