

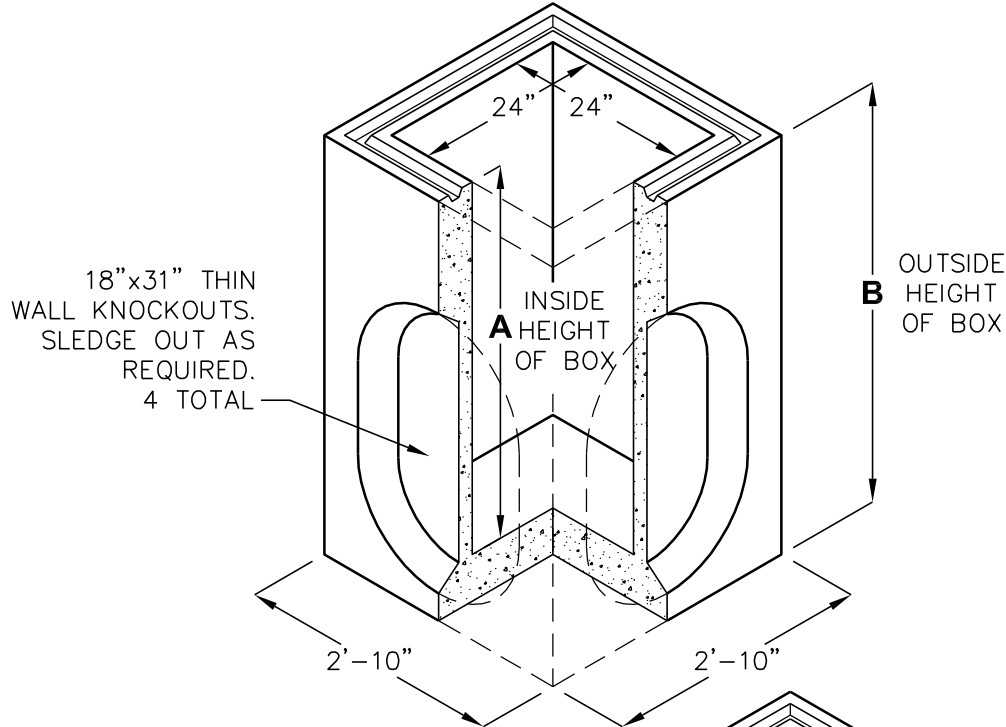
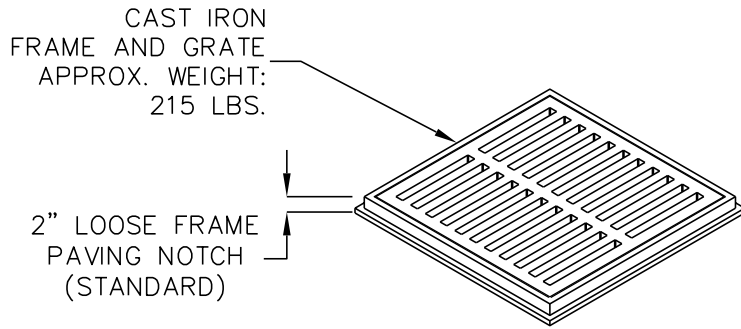
MEETS REQUIREMENTS FOR:
**STANDARD DETAILS
 FOR PUBLIC WORKS
 CONSTRUCTION**
TYPE 3R CATCH BASIN

2424-3R

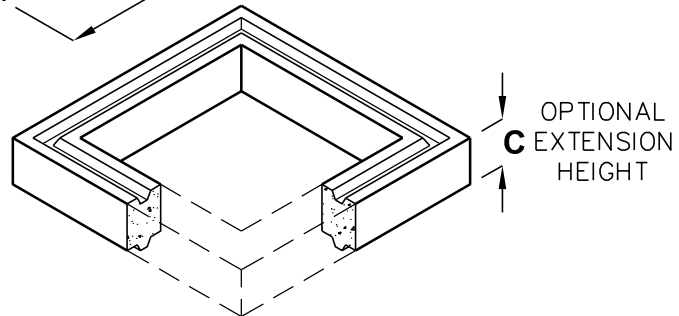
24"x24" DROP INLET WITH 24"x24" CAST IRON FRAME AND GRATE

DROP INLET			
MODEL NO.	A	B	*WEIGHT
DI242436-3R	36"	42"	1900 LBS.
DI242448-3R	48"	54"	2500 LBS.

*BOX ONLY



EXTENSION		
MODEL NO.	C	WEIGHT
RS242406	6"	300 LBS.
RS242412	12"	600 LBS.



DESIGN LOAD: H-20 TRAFFIC.

FOR COMPLETE DESIGN AND PRODUCT INFORMATION
 CONTACT JENSEN PRECAST.

Jensen Precast reserves the right to make changes to product design and/or dimensions without notice. Please contact Jensen Precast whenever necessary for confirmation or advice on product design.

