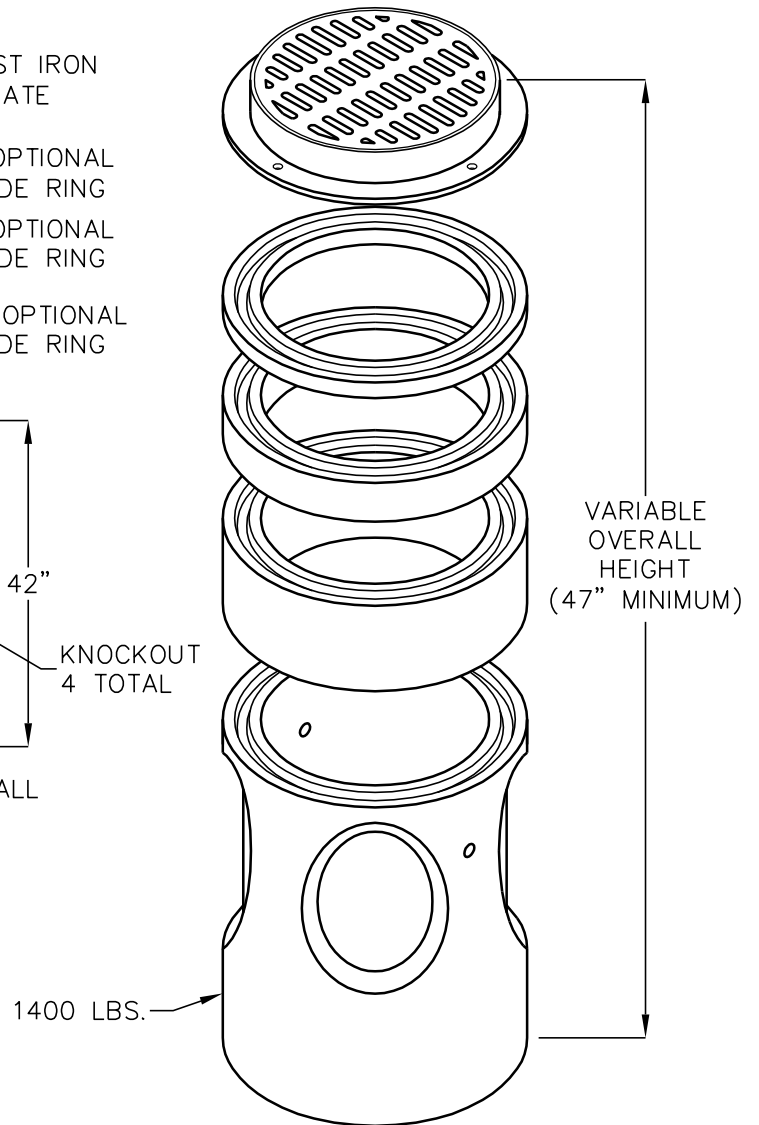
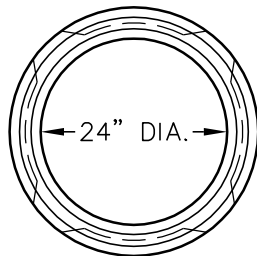
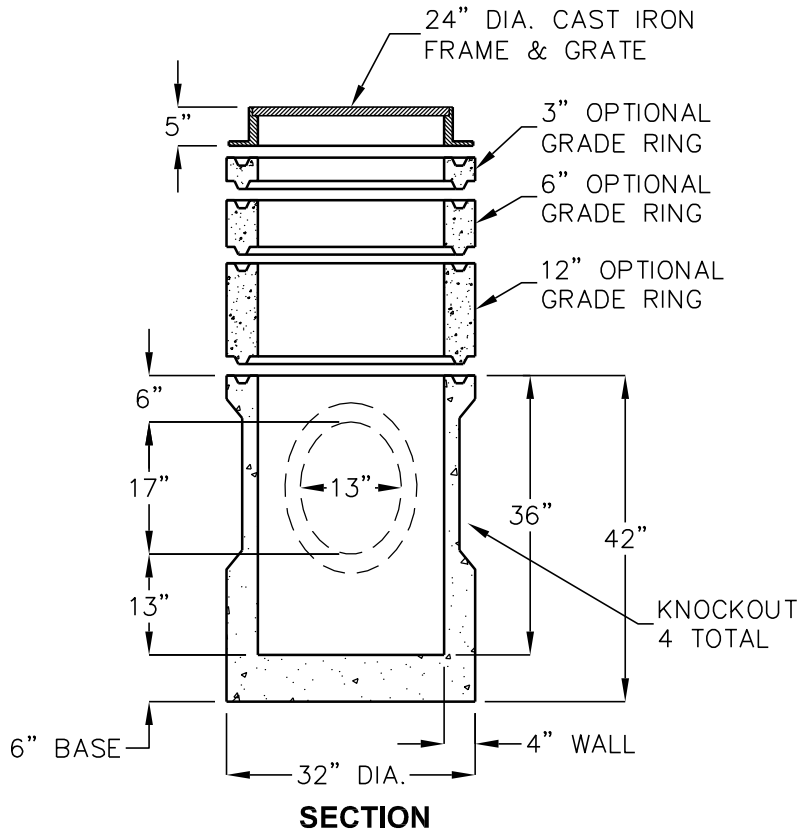


**MEETS REQUIREMENTS FOR  
STANDARD DETAILS FOR  
PUBLIC WORKS  
CONSTRUCTION**

**TYPE 3 CATCH BASIN**

# NO. 200 DROP INLET



## OPTIONAL GRADE RINGS

DESCRIPTION	APPROX. WT.
2432 GR-03 GRADE RING	92 LBS.
2432 GR-06 GRADE RING	183 LBS.
2432 GR-12 GRADE RING	366 LBS.

DESIGN LOAD: H-20 TRAFFIC.

FOR COMPLETE DESIGN AND PRODUCT  
INFORMATION CONTACT JENSEN PRECAST.

Jensen Precast reserves the right to make changes to product design  
and/or dimensions without notice. Please contact Jensen Precast whenever  
necessary for confirmation or advice on product design.

**JENSEN**  
PRECAST