

4'-0" X 6'-6" TRAFFIC HANDHOLE X 4'-0" DEEP

NOTES:

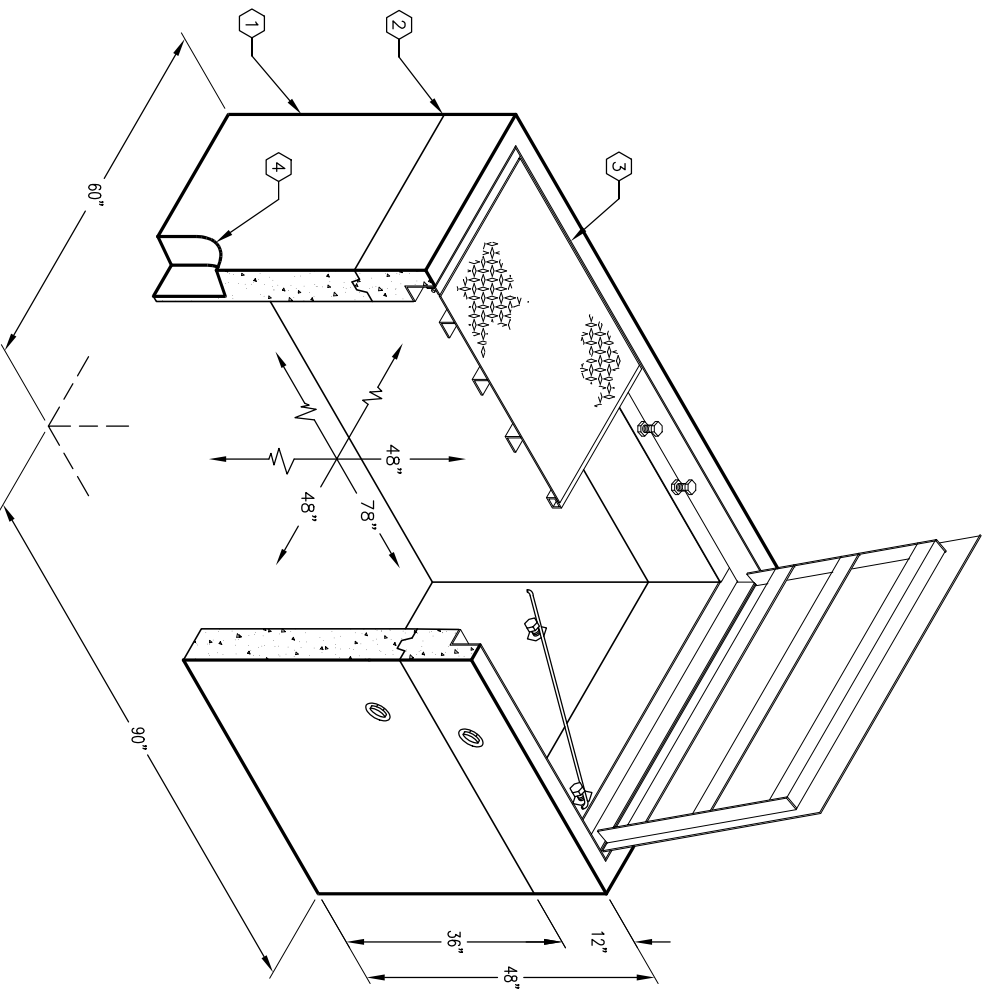
- CONCRETE DESIGNED IN ACCORDANCE WITH AASHTO H-20-44 TRAFFIC BRIDGE LOADING USING 5,500 PSI [37.92MPa] COMPRESSIVE STRENGTH CONCRETE AND 60,000 PSI [413.2MPa] YIELD STRENGTH ASTM A-706 STEEL REINFORCEMENT PER CALC. #
- COVER DESIGNED FOR H-20-44 TRAFFIC LOADING FOR USE IN OFF-STREET LOCATIONS PER CALC. #
- HANDHOLE TO BE PLACED ON A 6" BASE OF CRUSHER RUN FOR EVEN LOAD DISTRIBUTION AND EASE OF INSTALLATION.

ORDERING INFORMATION:
K466-FH48-08TH FOR ASSEMBLY AS SHOWN.
TOTAL ASSEMBLY WT. 7,585 Lbs.

- 1. PB466-L36-08, 36" LOWER SECTION, WT. 5,175 Lbs.
- 2. PB466-T12-08H, 12" TOP RING SECTION W/ FRAME (F466-PB-HNG) CAST-IN, WT. 2,410 Lbs.
- 3. C4466-TGSA, 2-PIECE SPRING ASSISTED GALV. TRAFFIC COVER (SC4466-THGV), WT. 685 Lbs.
- 4. 12" x 12" PIPE SLOT K.O. x 5" DEEP. LOCATE AS FOLLOWS:
LOWER SECTION (2) SHELL MTD.
- 6. 1/2" x 2 7/8" P-35T INSERTS. LOCATE AS FOLLOWS:
TOP RING SECTION (4) CORE MTD.

GENERAL NOTES:

1. Minimum soil bearing capacity is hereby assumed to be 2000 PSF unless otherwise documented by a geotechnical report that shall be provided to Jensen Precast by the end user. Jensen Precast shall not be held responsible for the soil bearing capacity. Installation of Manholes, Vaults, Handholes, Meter Boxes, etc. will be as per Jensen installation procedures.
3. Structural modification to the Jensen line of products is not permitted without prior written approval from Jensen Engineering Department.
4. Do not scale the drawings, verify all dimensions including rough openings, if any discrepancies are found, notify the Jensen Engineer immediately.
5. The Jensen Engineer will interpret the intent of the drawings in case of possible conflict or discrepancy.
6. Permissible Variations: Dimensional Tolerances – The length, width, height, or dia. measurements of the structure when measured on the inside surfaces shall not deviate from design dimensions by more than the following: Tolerance: 0 to 5 Feet 1/4" 5 to 10 Feet 3/8" 10 to 20 Feet as agreed upon Between the supplier and purchaser. Squariness Tolerance: he inside of the precast concrete component shall be square as determined by diagonal measurements. The difference between such measurements shall not exceed the following:
Measured Length: Allowable Difference 0 to 10 Feet 1/2" 10 to 20 Feet 3/4" 20 Feet and over as agreed upon between the supplier and purchaser.



MINIMUM EXCAVATION SIZE:
6'-0" x 8'-6" x DEPTH REQUIRED

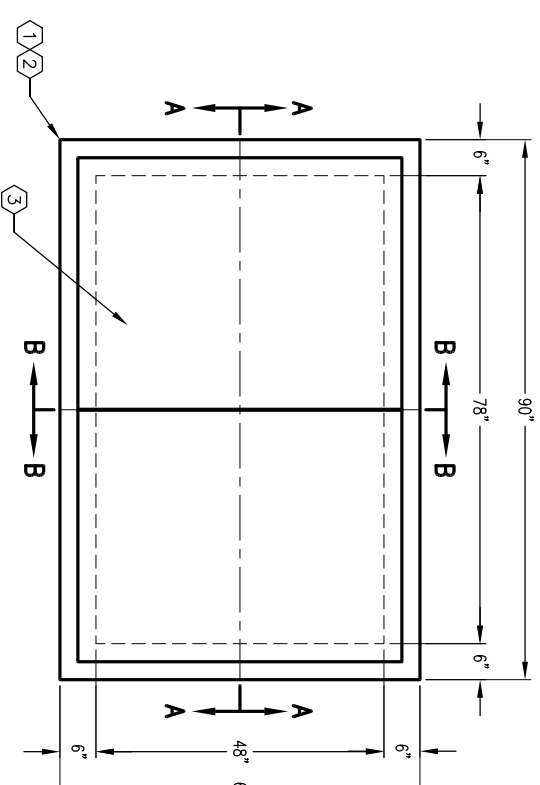


AUTOCAD REL. 14

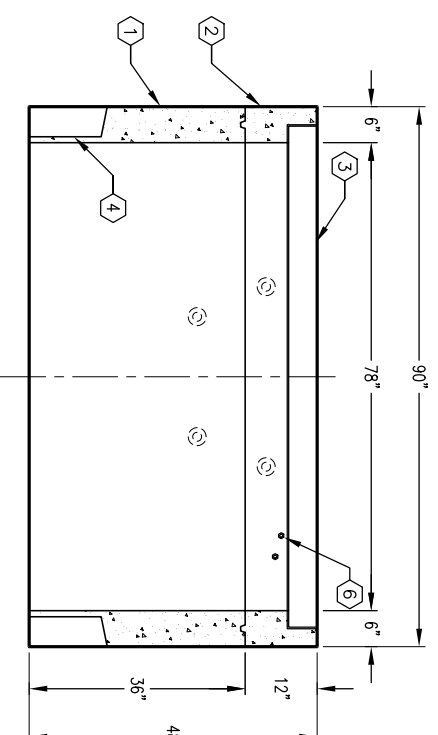
K466-FH48-08TH

PER CUSTOMER SPECS.

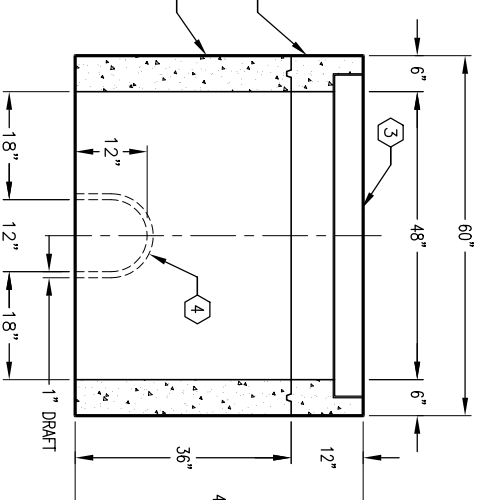
03-01-02



PLAN VIEW



SECTION A-A



SECTION B-B



#	DATE	DESCRIPTION	BY

K466-FH48-08TH

PER CUSTOMER SPECS.

03-01-02